



## **Efficient. Effective. Long Lasting.**

The AIM LED is an efficient minor procedure light that provides focused illumination of 45,000 lux/4181 fc at 1 meter. A 92 CRI rating produces very accurate color visibility, which is important for an accurate diagnosis. With 10 times greater (20,000 hours) lamp life than traditional light source products, you will save more than \$1,000 in bulb replacements alone. Additionally, the AIM LED uses 70% less energy.

## **Features**

- 45,000 lux (4181 fc) at 1 meter
  - 4300 K color temperature
  - CRI (Color Rendering Index) of 92
  - 3 LED modules with a 20,000-hour life
  - Adjustable focus using center handle
  - UL60601-1 / IEC 60601-1 / IEC 60601-1-2 / IEC 60601-2-41; CAN/CSA C22.2 601-1 M90 certified
  - CE marked
  - 5-year limited warranty
  - Assembled in USA
-

### Larger and Adjustable Light Pattern

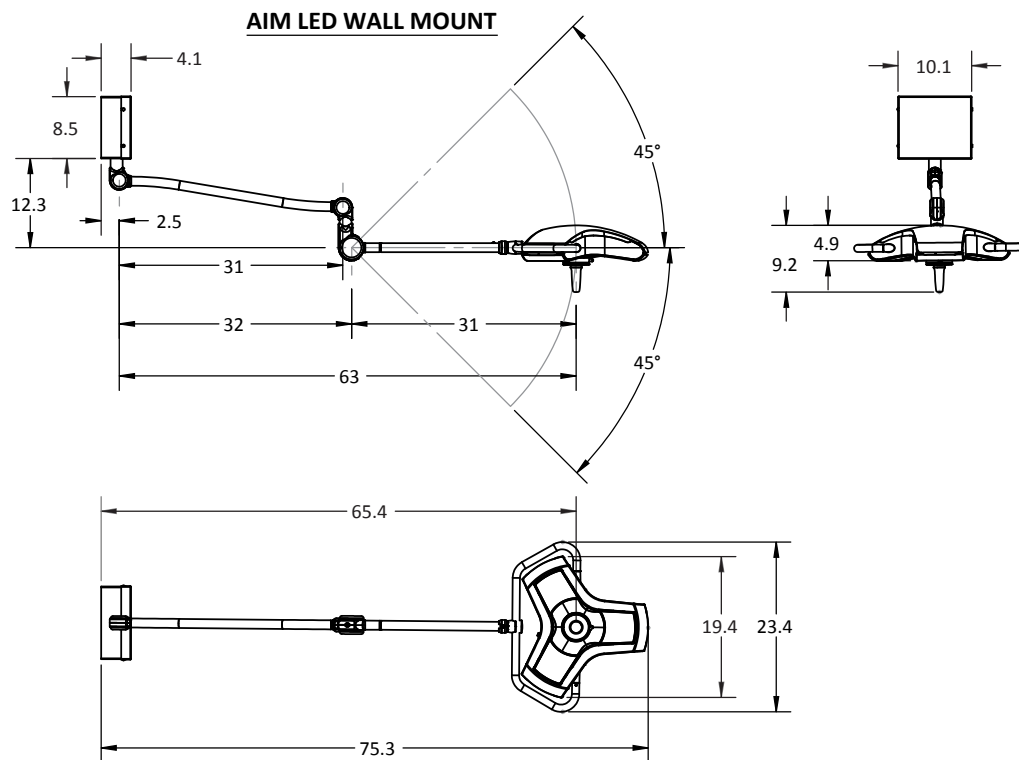
The multiple reflectors of the AIM LED can be tilted by rotating the sterilizable light handle to adjust the size and pattern of the light to the working area.

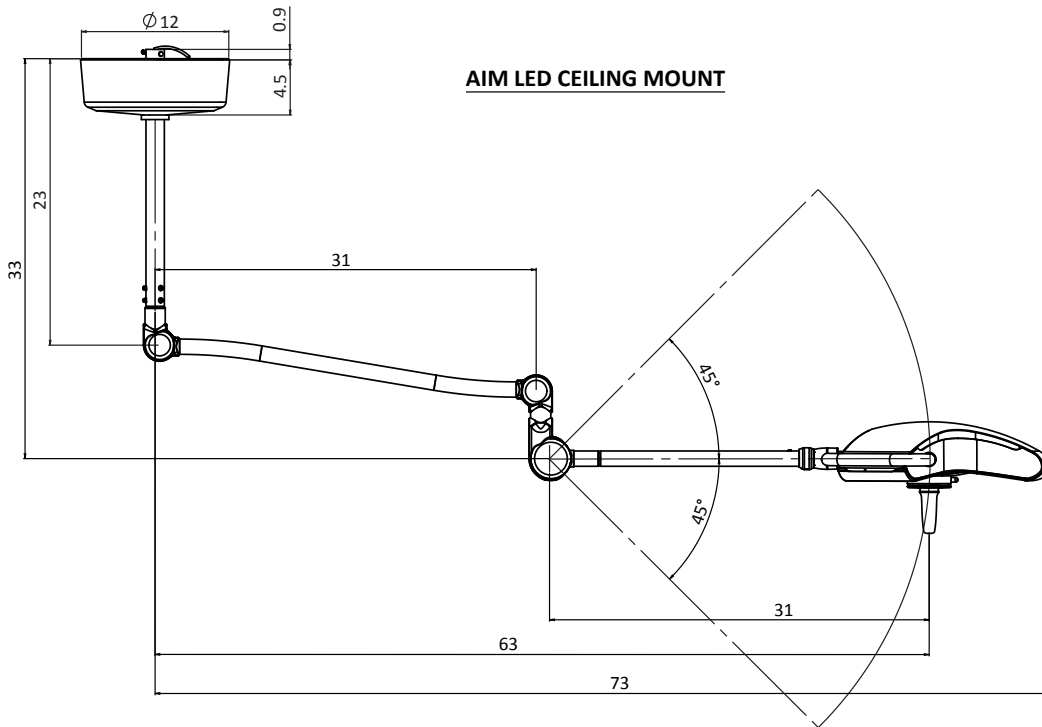
### Light Pattern Free of Cast Shadows

The AIM LED has a unique Y-Shaped design, which facilitates placement of the lighthead around the physician's head, minimizing the obstruction of light into the surgical field.

### AIM LED Range of Motion

The AIM LED's 360° limitless arm-and-mounting-system rotation around vertical axes on single ceiling models is a key feature previously available only on more expensive OR lights. The arm system also provides a maximum reach of 63" (160 cm) and diameter of 10' (305 cm), allowing it to illuminate the patient from head to toe with no drift.





## Summary of Technical Data

Illuminance:	45,000 lux (4181 fc) at 1 meter
Color temperature:	4300 K
CRI (Color Rendering Index):	92
Diameter of lighthead:	20" (51 cm)
Light field diameter:	13" - 15" (33 cm - 38 cm)
Depth of illumination:	54" (137 cm)
Focusing:	Adjustable using center handle

## Summary of Technical Data (cont.)

Light sources:	Light Emitting Diodes (LED)
Number of LED modules:	3
Rated life of LEDs:	20,000 hours
Swivel radius of lamp housing – ceiling mounted:	63" (160 cm) max.
Height movement of lamp housing – ceiling mounted:	41" (104 cm) vertical movement
Minimum/maximum ceiling height:	8 ft./12 ft. (244 cm/366 cm)
Power:	84 Watts
Mounting options:	Single ceiling, double ceiling
Total weight:	Floor version 43 lbs. (19.5 kg), single ceiling version 44 lbs. (19.9 kg)
Seismic calculations available:	Yes
Certifications/approvals:	UL60601-1 / IEC 60601-1 / IEC 60601-1-2 / IEC 60601-2-41 CAN/CSA C22.2 601-1 M90 CE marked
Origin:	Assembled in USA

Note: The optical data are nominal values based on measurements calculated according to UL/IEC performance standards at 120V

## Ordering information

120 V Model	230/240V Model	230/240V SP Model*	100V Model	Description
ALEDFL	ALEDFL03	ALEDFL25	ALEDFL01	Floorstand
ALEDSC	ALEDSC03	ALEDSC25	ALEDSC01	Single Ceiling Mount
ALEDDC	ALEDDC03	ALEDDC25	ALEDDC01	Double Ceiling Mount
ALEDW	ALEDW03	ALEDW25	ALEDW01	Wall Mount
Accessories				
1017040				Sterilizable/ Autoclavable Handle
0008100PK				Disposable Handle Covers, 25/Box

\*SP Model refers to Spanish Language Manuals.



### California Proposition 65 Warning:

This product may contain chemicals, including lead, known to the State of California to cause cancer, birth defects or other reproductive harm. For More Information: [www.P65Warnings.ca.gov](http://www.P65Warnings.ca.gov)



**MODULAR**  
SERVICES COMPANY

500 E. Britton Rd. • Oklahoma City, OK 73114

Tel: 800.687.0938 • Fax: 405.528.0368

[www.modularservices.com](http://www.modularservices.com)

[info@modularservices.com](mailto:info@modularservices.com)