



**APTUS-M**  
*a fitting solution*



### ***INTELLIGENTLY DESIGNED***

- Each unit is designed for optimal access and stability to ensure equipment remains secure
- Adjustable to be compatible with majority of systems on the market

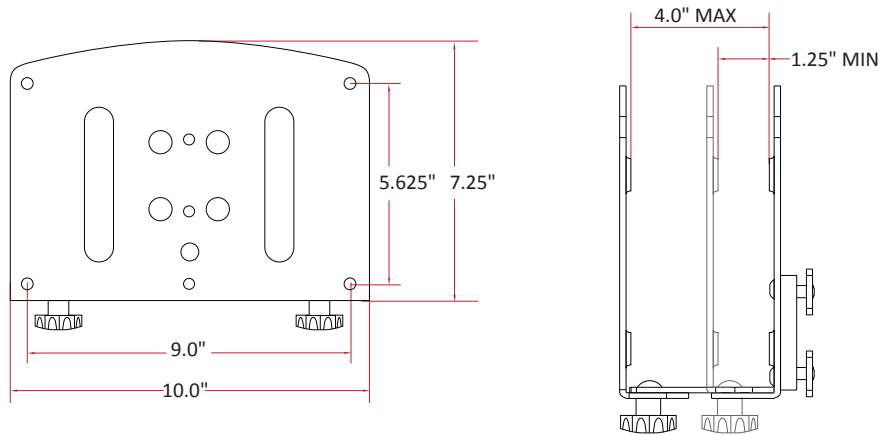
### ***INSTALLS IN MINUTES***

- Ships pre-assembled, to help minimize installation time/ costs and reduce downtime in critical care areas
- Easily installs directly into the channel at any desired position

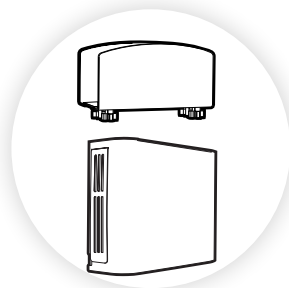
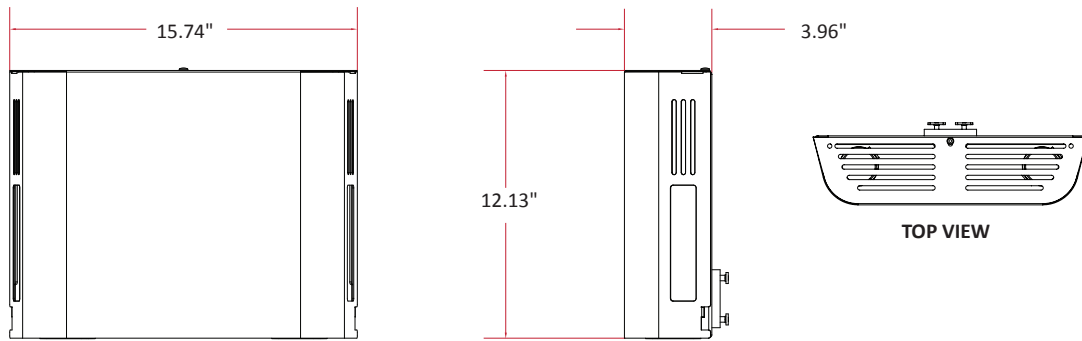
### ***BUILT FOR LIFE***

- Steel composition for stability and long-term dependability
- Maintains high infection control standards with antimicrobial agents incorporated into paint surfaces

**APTUS® M Ultra Thin CPU Cradle (MSC Stock #518-2347)**



**APTUS® M Enclosed CPU Holder (MSC Stock #518-2349)**



Model	Description	Width Adjustment	Weight	Storage
518-2347	APTUS® M Ultra Thin CPU Cradle	1.25"-4"	7 lbs.	Fixed
518-2349	APTUS® M Enclosed CPU Holder	4.5"-5"	14 lbs.	Fixed

**FINISH: WHITE SATIN**



500 E. Britton Rd. • Oklahoma City, OK 73114  
 Tel: 800.687.0938 • Fax: 405.528.0368  
[www.modularservices.com](http://www.modularservices.com)  
[info@modularservices.com](mailto:info@modularservices.com)