

NOTES:


- ① JUNCTION BOXES: J1--NORMAL POWER, J2--EMERGENCY POWER, J3--TELEPHONE/MULTI PIN.
- ② KYDEX COVER ON BED DOCKER TO MATCH 'SURF' OR 'PLATINUM GREY'.

MODULAR SERVICES COMPANY 500 EAST BRITTON ROAD OKLAHOMA CITY, OK. 73114

PROJECT

REVISED

BED DOCKER STANDARD DEPTH

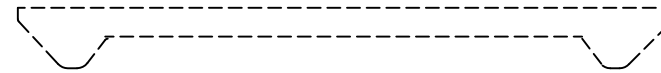
SCALE:  =1'

DATE _____ DRAWN BY _____ DRAWING # PB-100

LEGEND

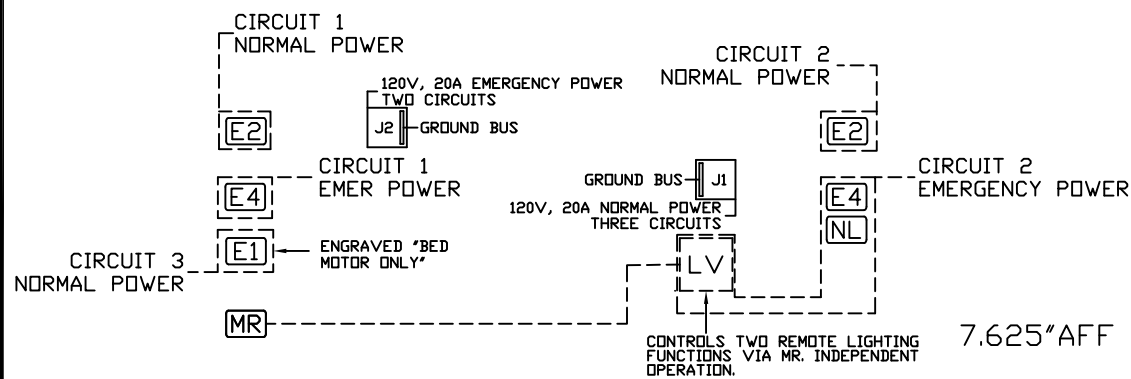
REQ	SYM	DESCRIPTION
1	E1	SINGLE RECEPTACLE, 8310 IVORY, 20A, 125V, H.G., NORMAL POWER
2	E2	DUPLEX RECEPTACLE, 8300 IVORY, 20A, 125V, H.G., NORMAL POWER
2	E4	DUPLEX RECEPTACLE, 8300 RED, 20A, 125V, H.G., EMER. POWER
1	NL	NIGHT LIGHT, SIERRA 2156, 7 WATT, 115V, LOUVERED FACE
1	LV	LOW VOLTAGE SWITCHING PACKAGE 2-RELAY TYPE
1	TL	TELEPHONE OUTLET SINGLE CAT 5, RJ-45 RECEPTACLE
1	MR	MULTI-PIN BED RECEPTACLE 37 PIN CONNECTOR W/CABLE
1	BD	BED DOCKER

--REQ'D: --AS SHOWN
--OPPOSITE



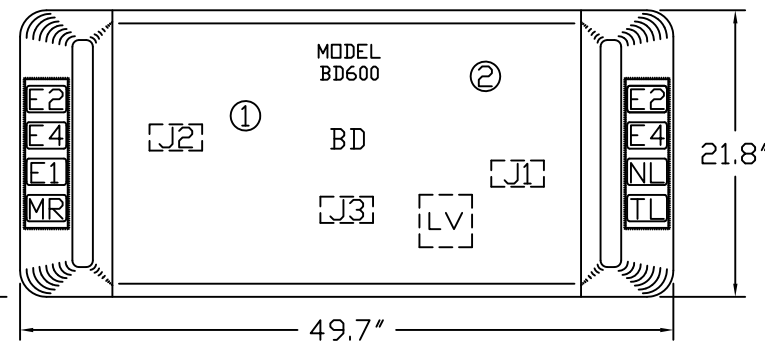
CEILING LINE

**ROUGH-IN TEMPLATES ARE INCLUDED WITH THESE UNITS
SEE INSTALLATION INSTRUCTIONS FOR MORE INFORMATION**



WIRING DIAGRAM

GROUND WIRING TO BE #10 GREEN STRANDED COPPER



FLOOR LINE



4.6"