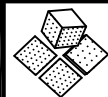


**NOTES:**

- ① JUNCTION BOXES: J1--NORMAL POWER, J2--EMERGENCY POWER, J3--NURSE CALL, J4--TELEPHONE.
- ② GAS PIPING: TYPE L COPPERTUBING. OXYGEN AND AIR--1/2" I.D., VACUUM--3/4" I.D.
- ③ PANEL LAMINATE COLOR: TO BE DETERMINED.



**MODULAR** 500 EAST BRITTON ROAD  
**SERVICES COMPANY** OKLAHOMA CITY, OK. 73114

REVISED

FLATWALL  
 MODEL 1101

PROJECT

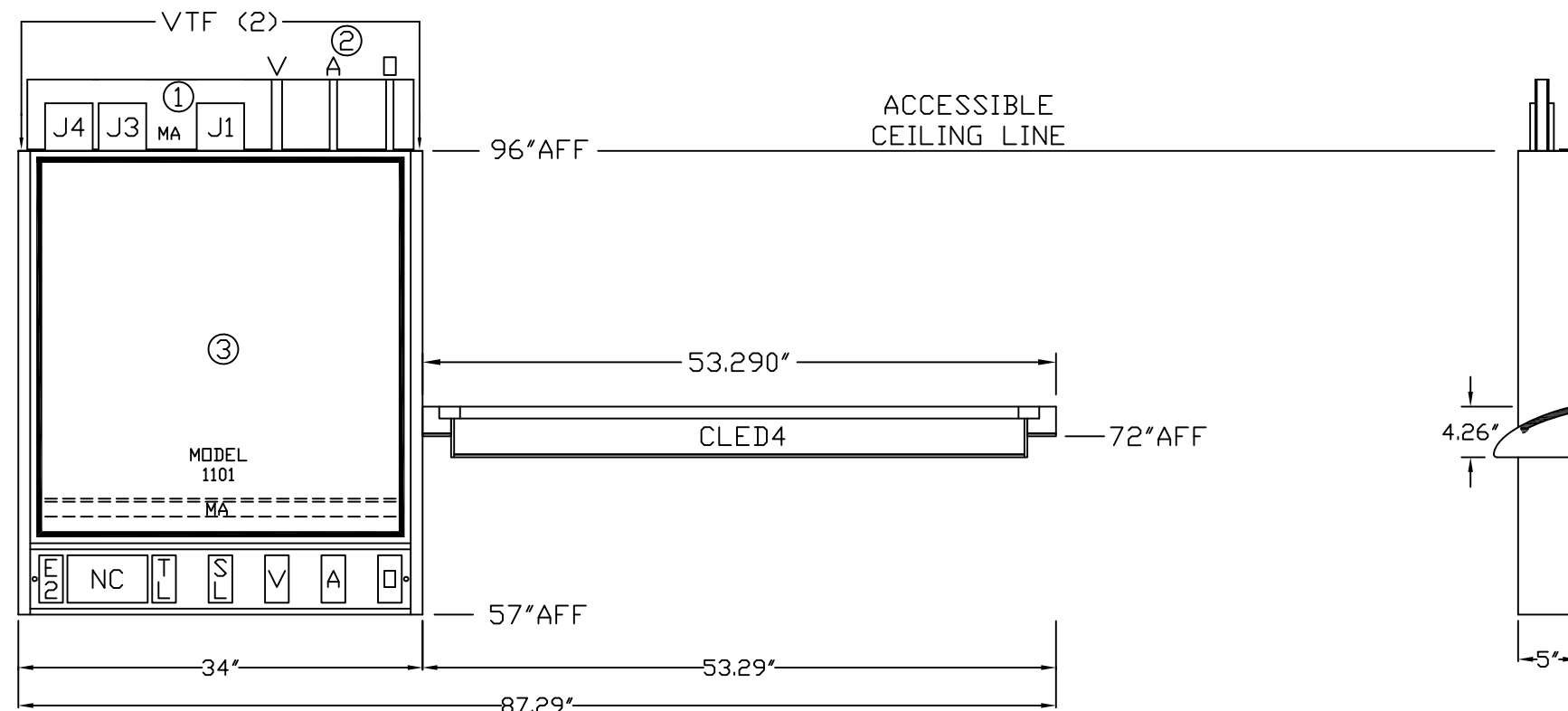
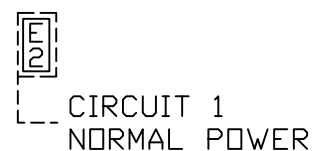
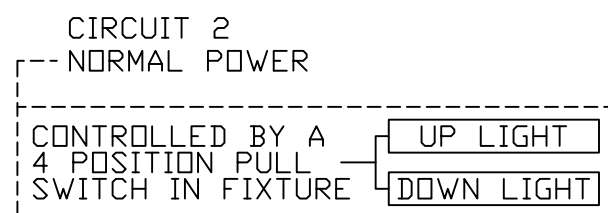
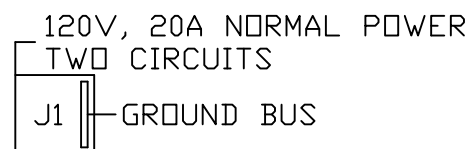
SCALE: =1'

DATE \_\_\_\_\_ DRAWN BY \_\_\_\_\_ DRAWING #  
 PB-147

LOW ACUITY

-- REQ'D: -- AS SHOWN  
 -- OPPOSITE

SERVICES TO BE REVERSED  
 ON OPPOSITE HAND UNITS



WIRING DIAGRAM

GROUND WIRING TO BE #10  
 GREEN STRANDED COPPER

FLOOR LINE

SIDE VIEW

\*AFF: ABOVE FINISHED FLOOR

