

NOTES:


- ① JUNCTION BOXES: J1--NORMAL POWER, J2--EMERGENCY POWER, J3--NURSE CALL/CODE BLUE/TELEPHONE.
- ② GAS PIPING: TYPE L COPPERTUBING. OXYGEN AND AIR--1/2" I.D., VACUUM--3/4" I.D.
- ③ PANEL COLOR: POWDER COATED FINISH THAT MATCHES 'SURF' OR 'PLATINUM GREY'.
- ④ CONDUIT: C1--MONITOR (1-1/4")

MODULAR SERVICES COMPANY 500 EAST BRITTON ROAD
OKLAHOMA CITY, OK. 73114

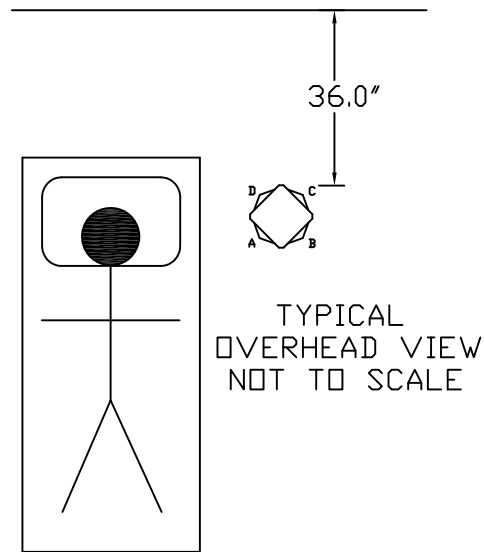
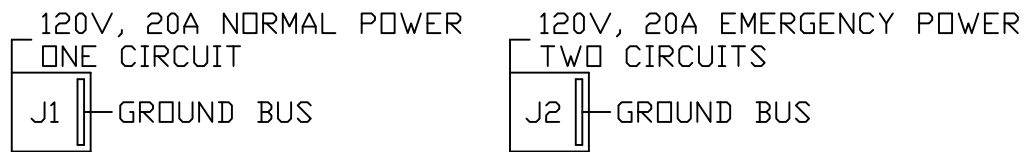
PROJECT _____

REVISED _____

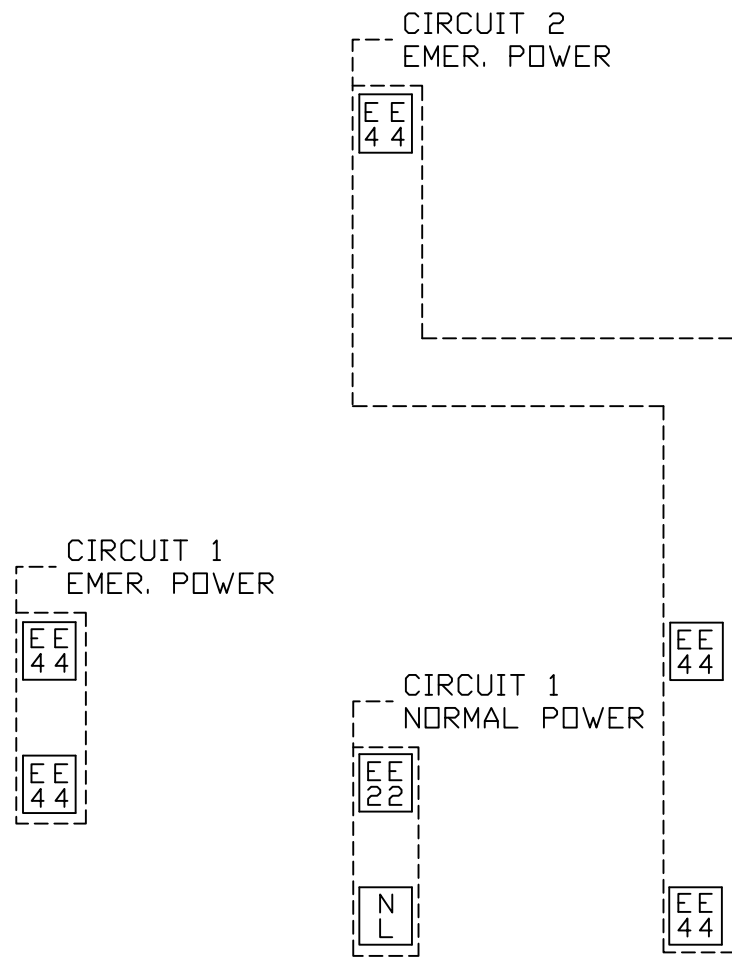
OPEN ACCESS COLUMN
MODEL 5701

SCALE:  = 1'

DATE _____ DRAWN BY _____ DRAWING #
PB-137

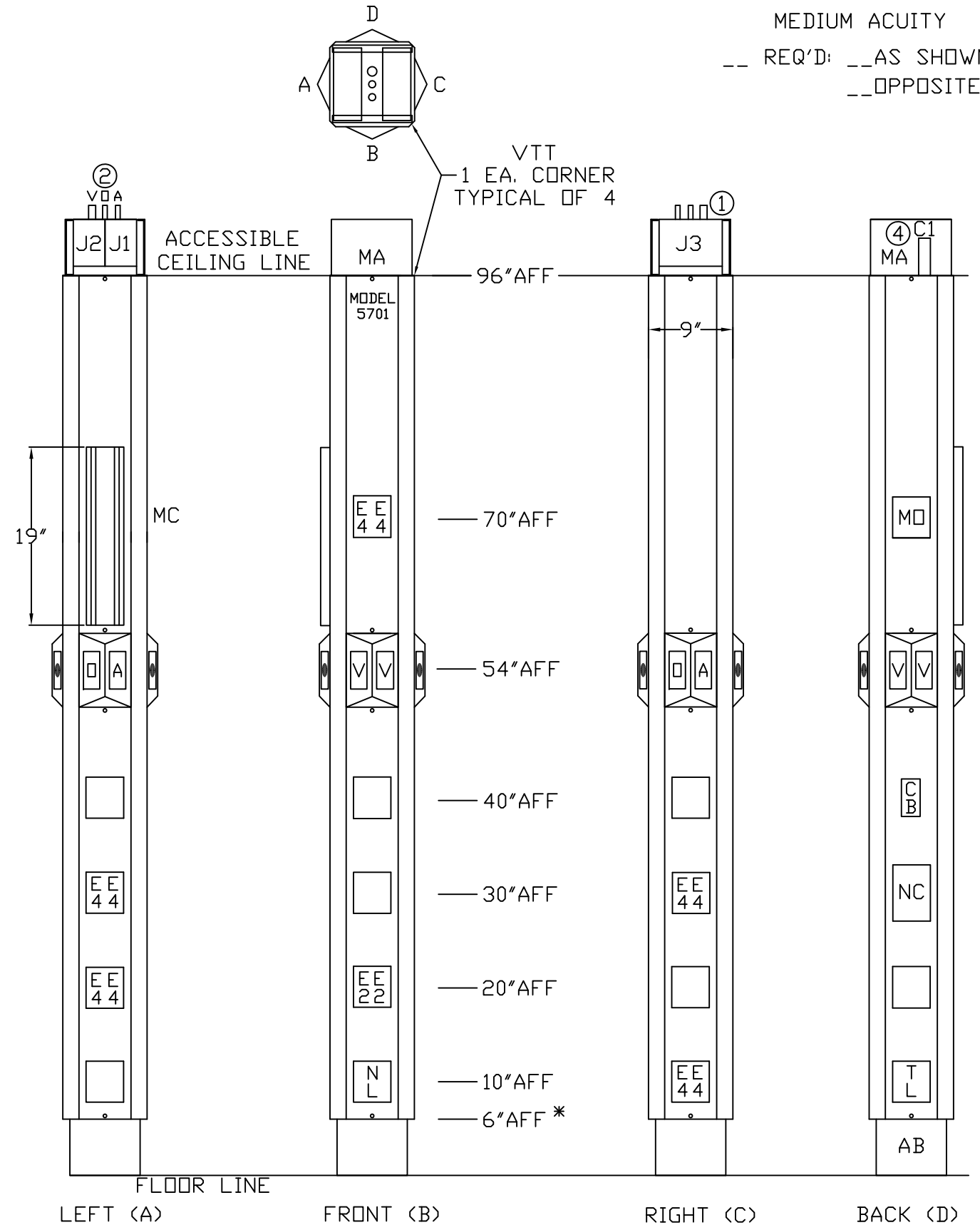


MEDIUM ACUITY
__ REQ'D: __ AS SHOWN
__ OPPOSITE



WIRING DIAGRAM

GROUND WIRING TO BE #10
GREEN STRANDED COPPER



FLOOR LINE
LEFT (A) FRONT (B) RIGHT (C) BACK (D)

*AFF (ABOVE FINISHED FLOOR)

