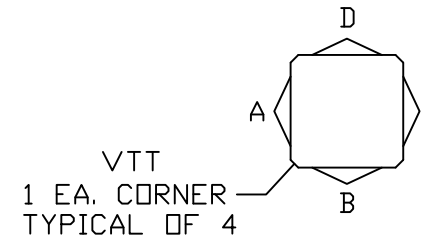
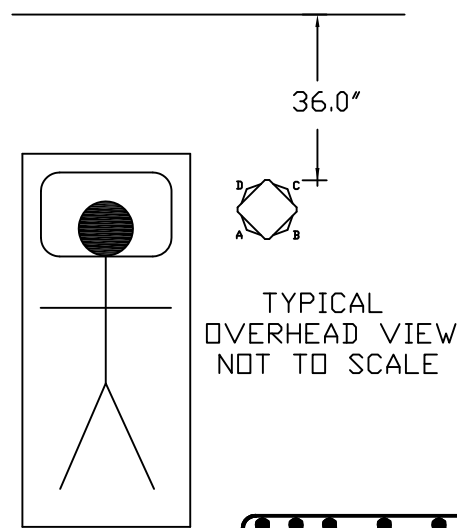


NOTES:

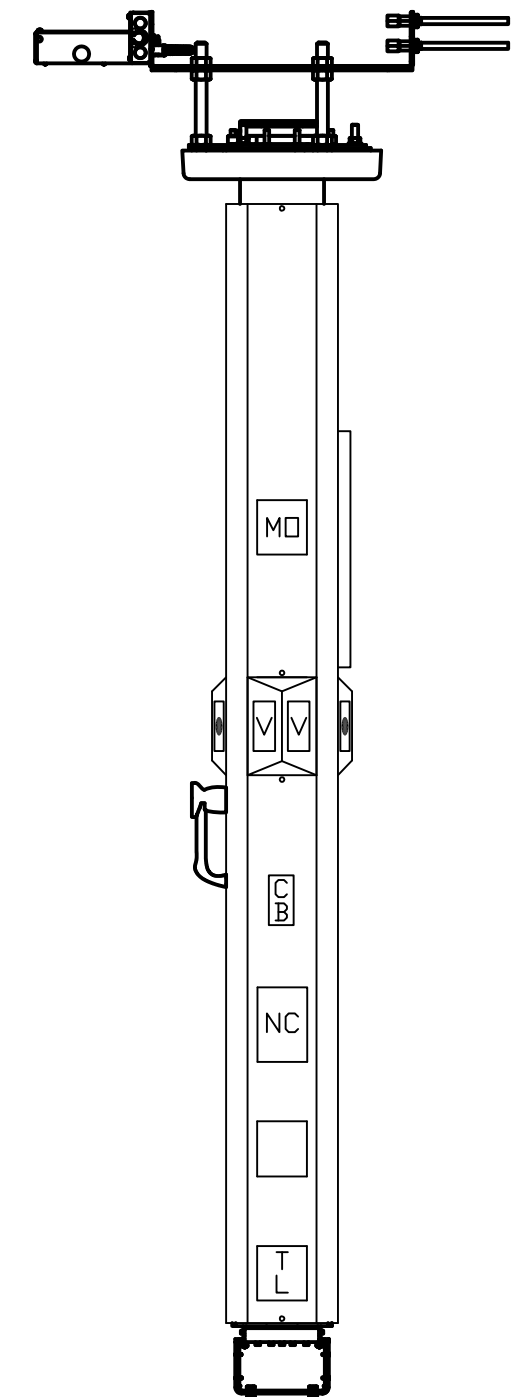
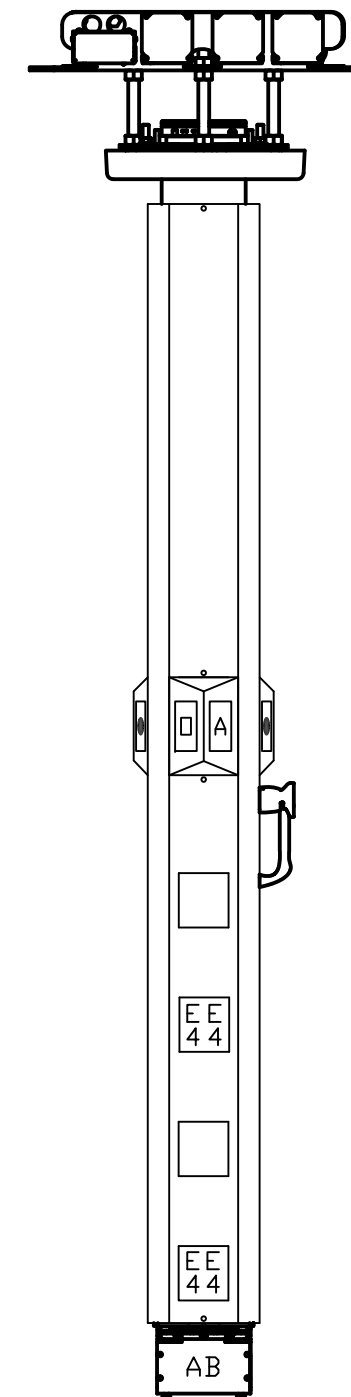
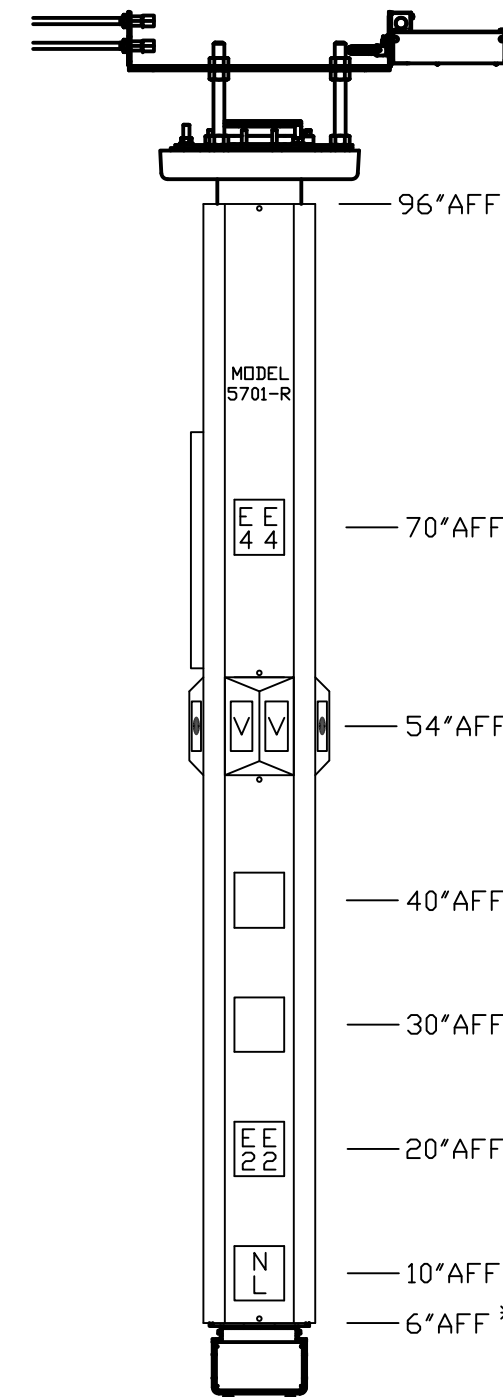
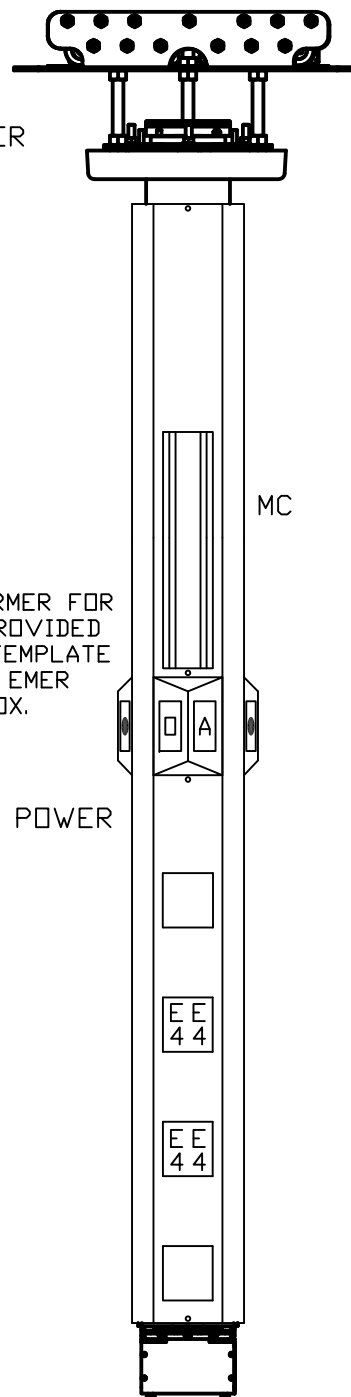
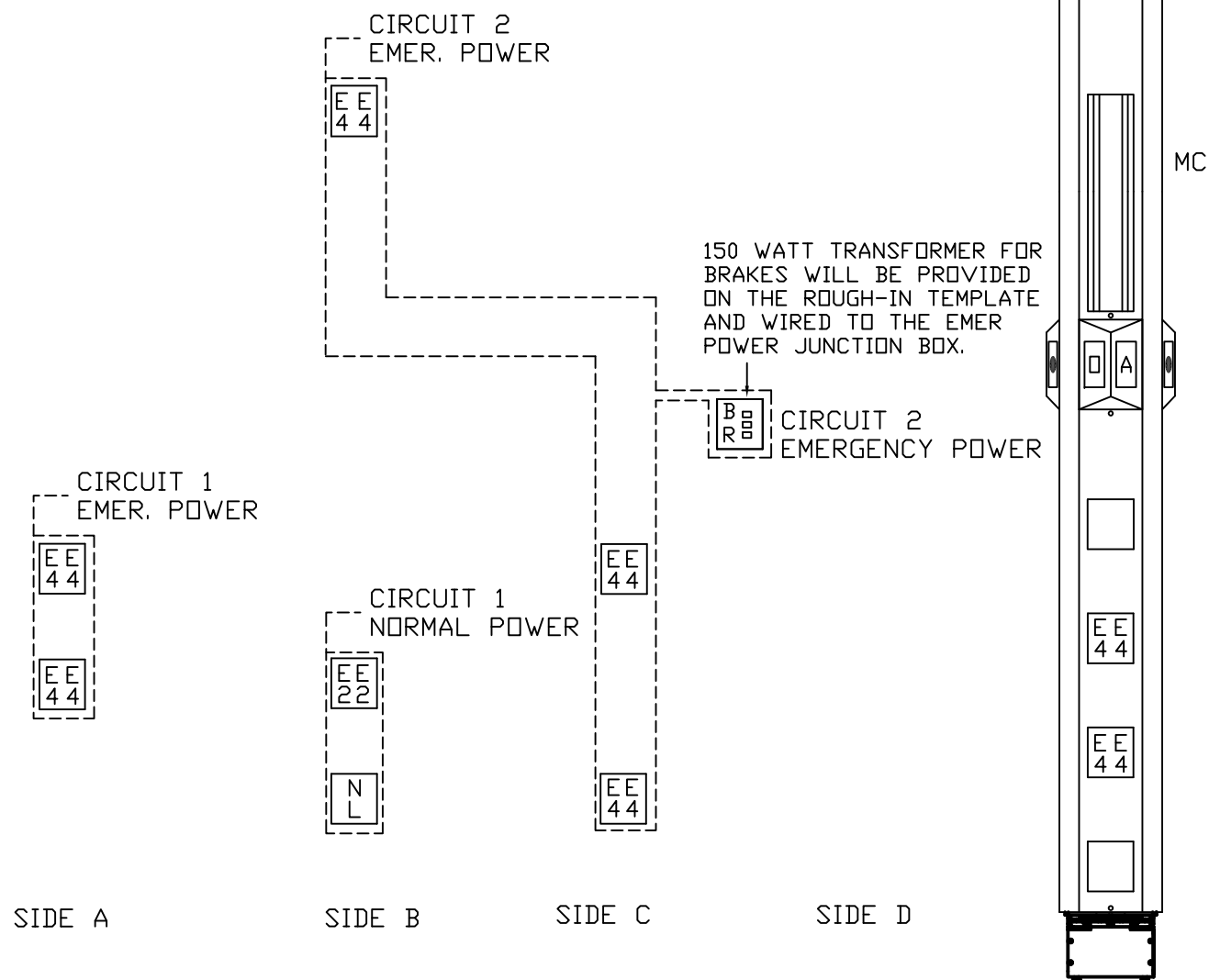
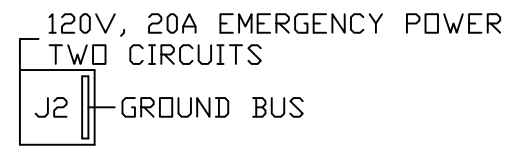
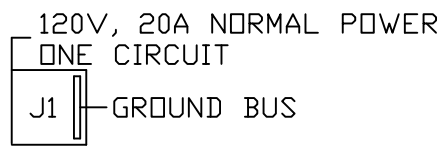
- ① JUNCTION BOXES: J1--NORMAL POWER, J2--EMERGENCY POWER, J3--NURSE CALL/CODE BLUE/TELEPHONE.
- ② GAS PIPING: TYPE L COPPERTUBING. OXYGEN AND AIR--1/2" I.D., VACUUM--3/4" I.D.
- ③ PANEL COLOR: POWDER COATED FINISH THAT MATCHES 'SURF' OR 'PLATINUM GREY'.
- ④ CONDUIT: C1--MONITOR (1-1/4")



--- REQ'D: --- AS SHOWN
--- OPPOSITE

WIRING DIAGRAM

GROUND WIRING TO BE #10



*AFF (ABOVE FINISHED FLOOR)

