

NOTES:


- ① JUNCTION BOXES: J1--NORMAL POWER, J2--EMER. POWER, J3--NURSE CALL/TELEPHONE.
- ② GAS PIPING: TYPE L COPPERTUBING. OXYGEN & AIR--1/2" I.D., VACUUM--3/4" I.D.
- ③ COLOR TO MATCH 'SURF' OR 'PLATINUM GREY'.
- ④ CEILING HEIGHT: 7'6" MIN TO 9'6" MAX. OTHER HEIGHTS ARE SUBJECT TO AN ADDTL CHARGE. CONTACT YOUR SALES REPRESENTATIVE FOR DETAILS.
- ⑤ MAXIMUM CONDUIT SIZE FOR DOUBLE-SIDED UNITS IS 3/4".

**MODULAR SERVICES COMPANY** 500 EAST BRITTON ROAD  
OKLAHOMA CITY, OK 73114

PROJECT

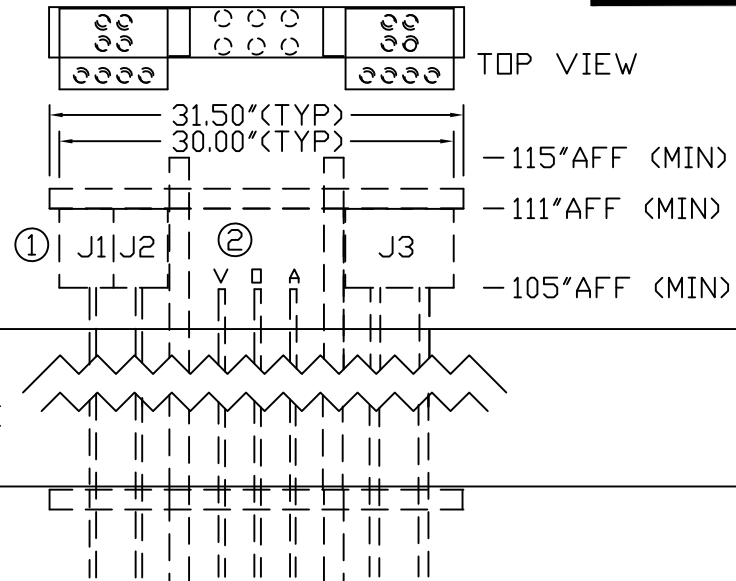
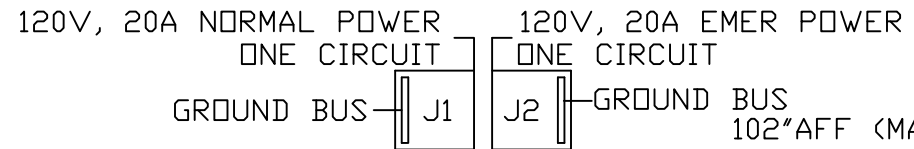
REVISID

PROFILE® UNIT  
DOUBLE SIDED, SEMI-RECESSED  
MODEL 7021

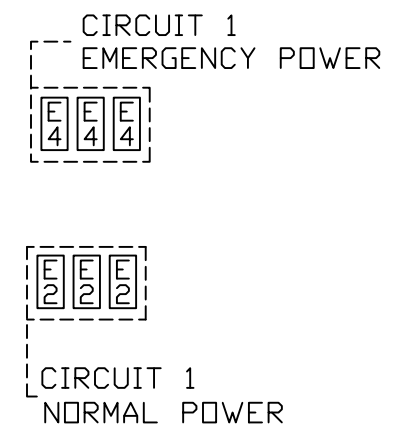
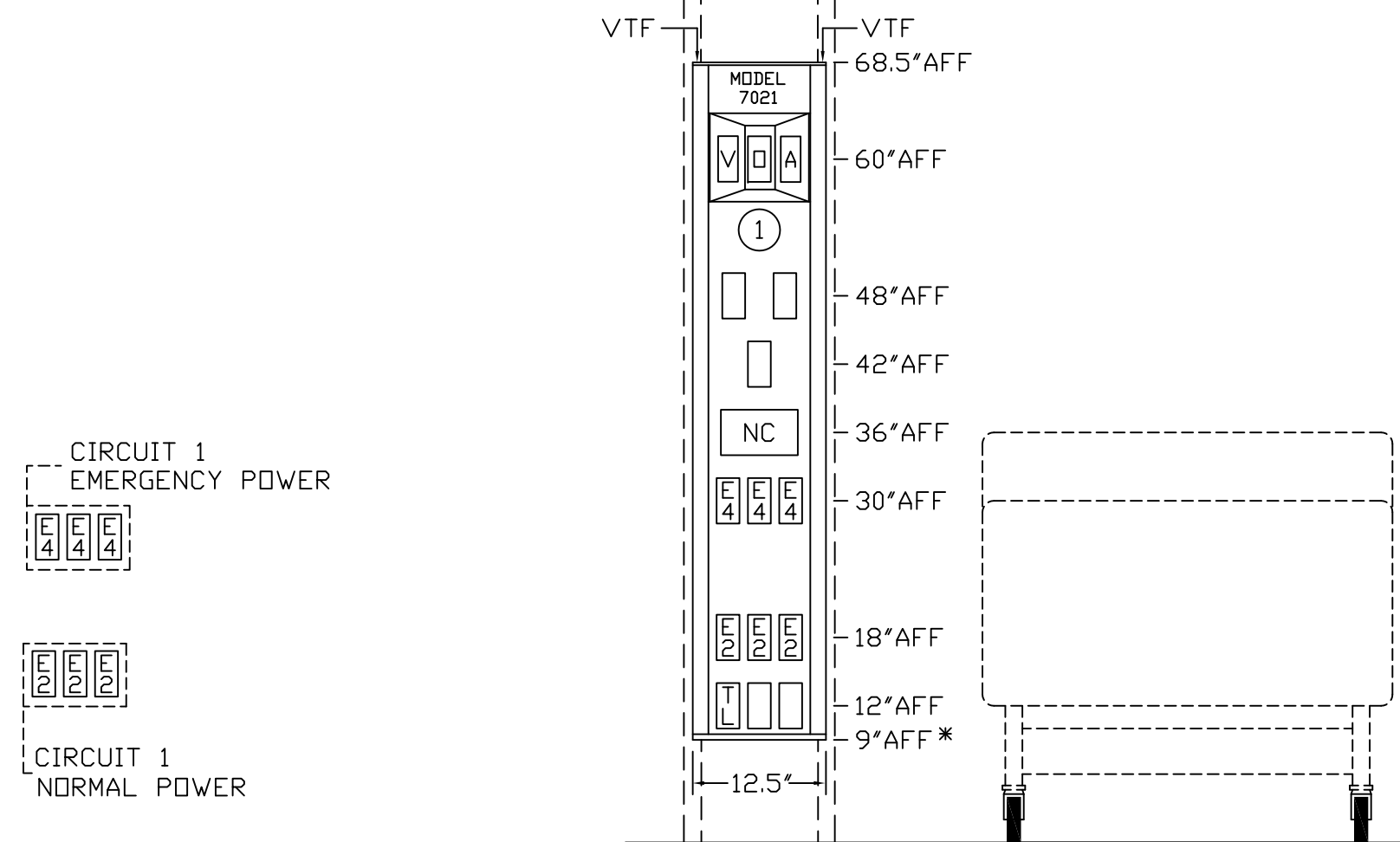
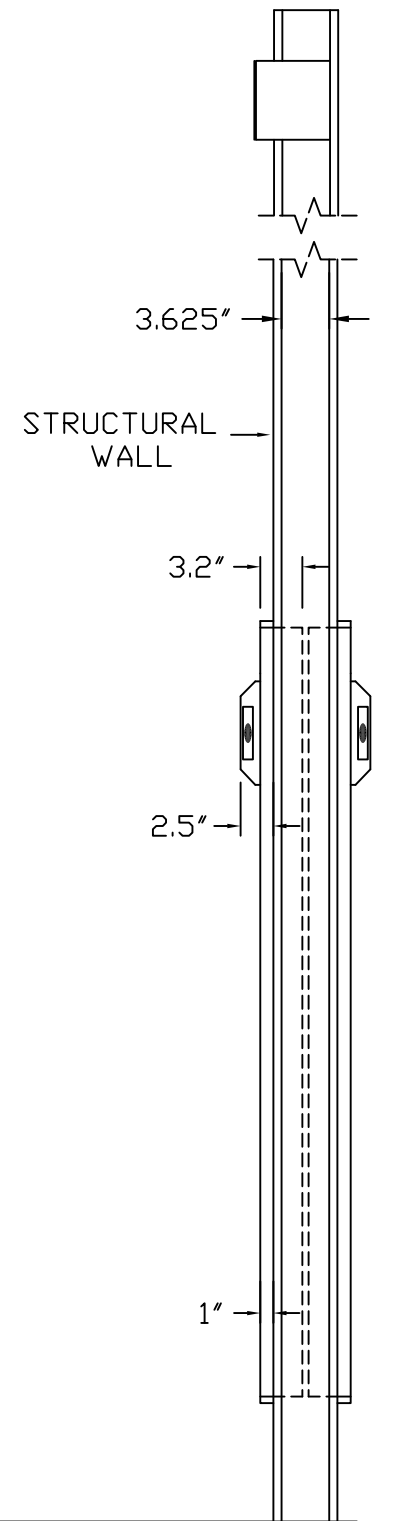
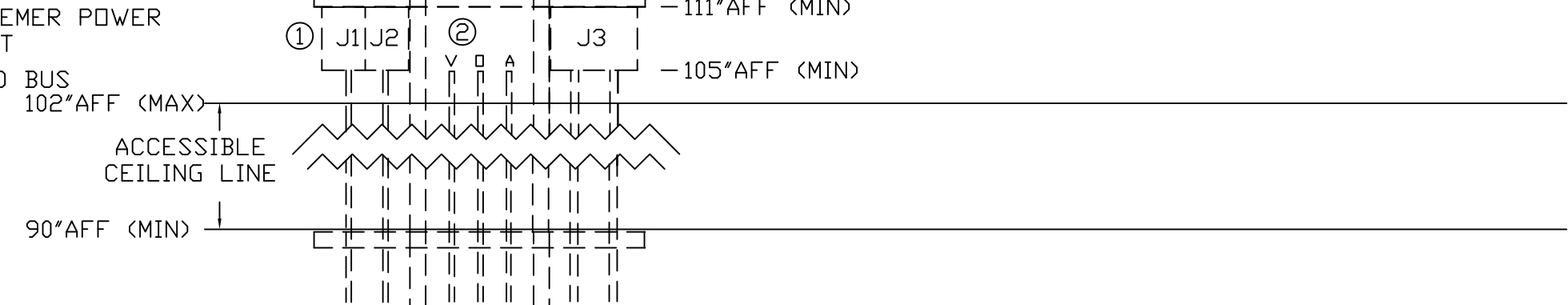
SCALE:  = 1'

DATE \_\_\_\_\_ DRAWN BY \_\_\_\_\_ DRAWING #  
PB-175

SERVICES TO BE REVERSED  
ON OPPOSITE HAND UNITS



-- REQ'D: -- AS SHOWN  
-- OPPOSITE



WIRING DIAGRAM  
GROUND WIRING TO BE #10  
GREEN STRANDED COPPER

\*AFF(ABOVE FINISHED FLOOR)

