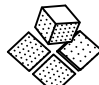



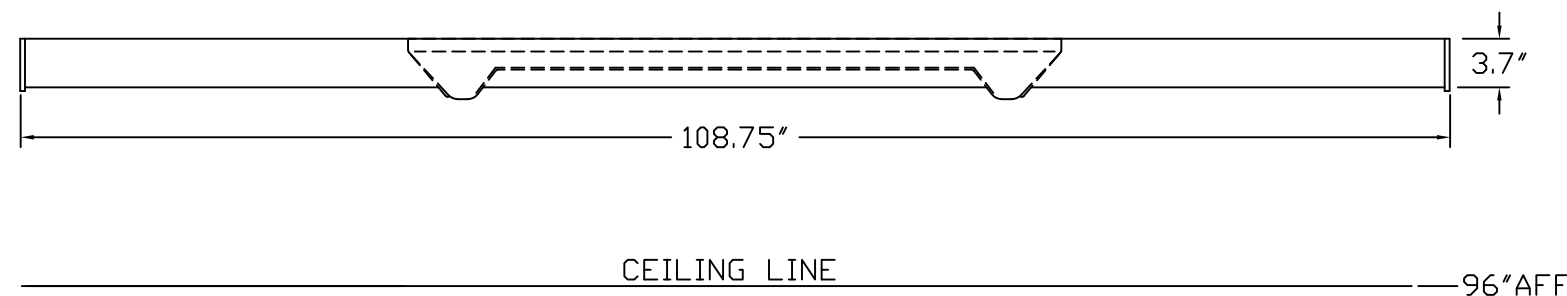
NOTES:

- ① JUNCTION BOXES: J1--NORMAL POWER, J2--EMERGENCY POWER, J3--NURSE CALL/TELEPHONE/MULTI PIN/CODE BLUE.
- ② GAS PIPING: TYPE L COPPERTUBING. OXYGEN & AIR--1/2" I.D., VAC--3/4" I.D.
- ③ PANEL LAMINATE COLOR: TO BE DETERMINED. ALUMINUM SURFACES TO HAVE A POWDER COATED FINISH TO MATCH FORMICA #923 'SURF'.
- ④ KYDEX COVER ON BED DOCKER TO MATCH 'SURF' OR 'PLATINUM GREY'.
- ⑤ ENDCAPS ADD A TOTAL OF 3/4" ONTO TOTAL LENGTH.

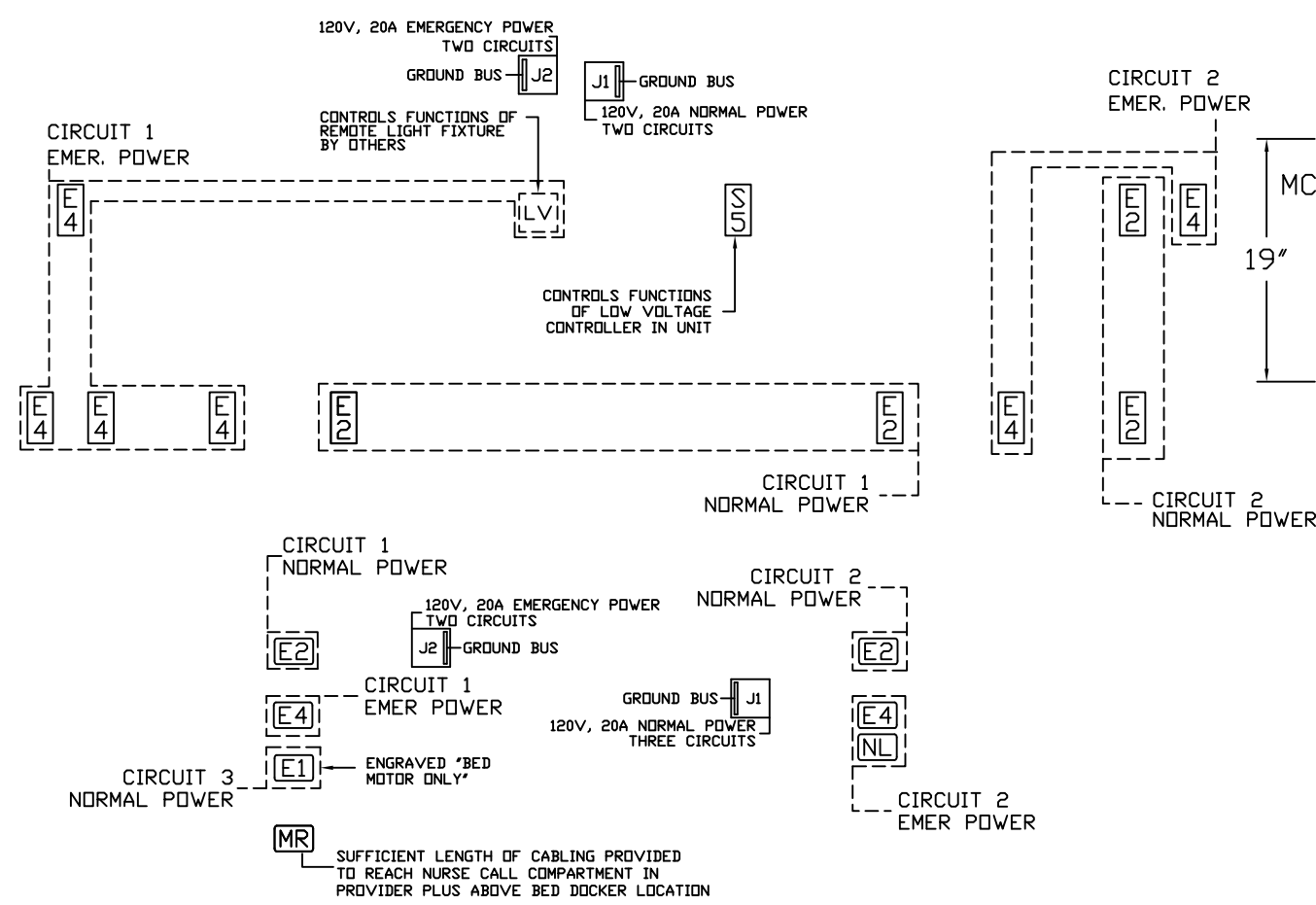
PROJECT	 MODULAR SERVICES COMPANY 500 EAST BRITTON ROAD OKLAHOMA CITY, OK. 73114
	REVISED

PROVIDER PLUS® TWO TIER W/DOCKER MODEL 6600A		
SCALE:  =1'		
DATE	DRAWN BY	DRAWING #
		PB-167

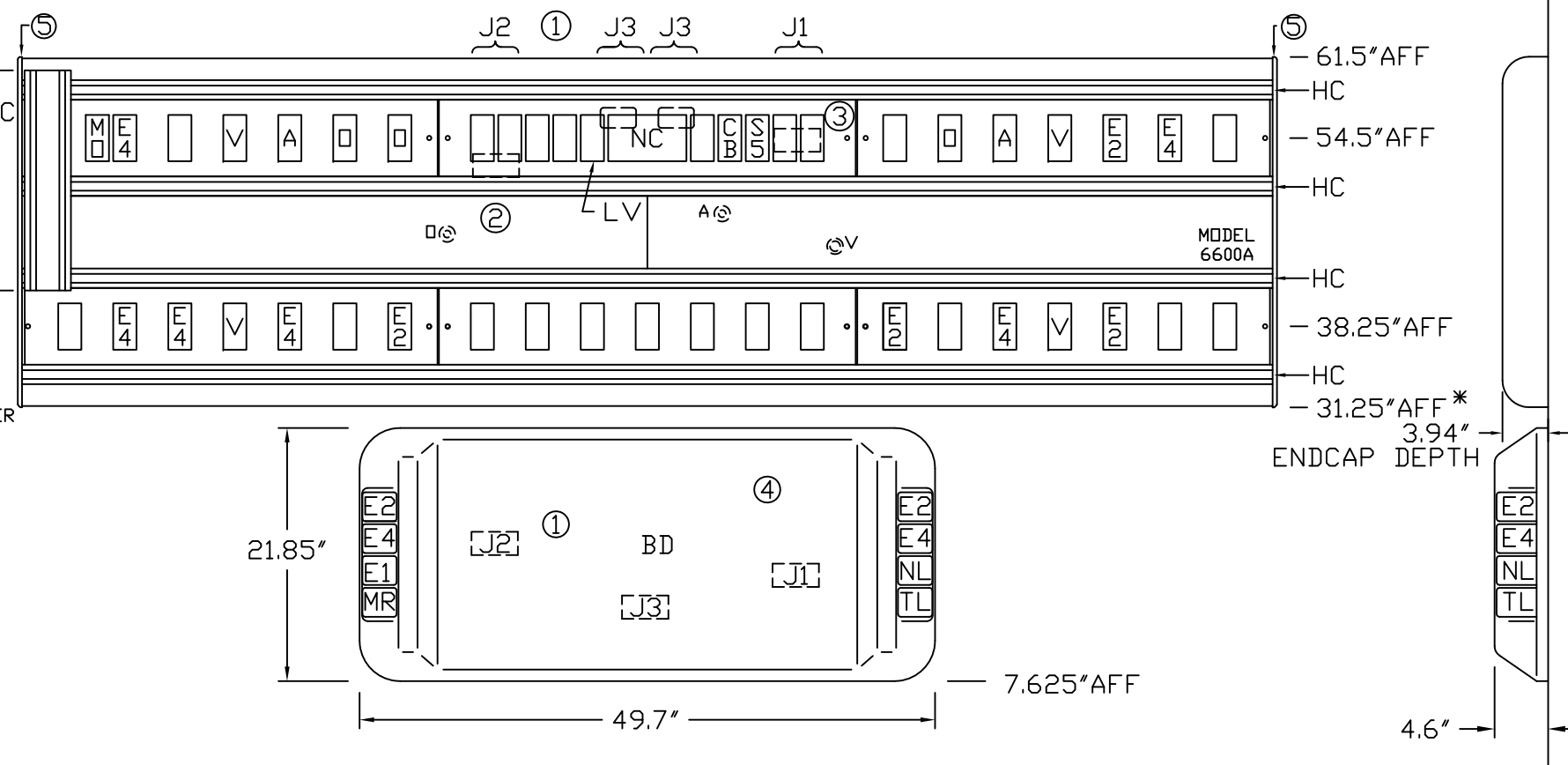
HIGH ACUITY
 -- REQ'D: -- AS SHOWN
 -- OPPOSITE



WIRING DIAGRAM
 GROUND WIRING TO BE #10
 GREEN STRANDED COPPER



ROUGH-IN TEMPLATES ARE INCLUDED WITH THESE UNITS
 SEE INSTALLATION INSTRUCTIONS FOR MORE INFORMATION



* AFF (ABOVE FINISHED FLOOR) FLOOR LINE

