

## APTUS® *a fitting solution*



### **Intelligently Designed**

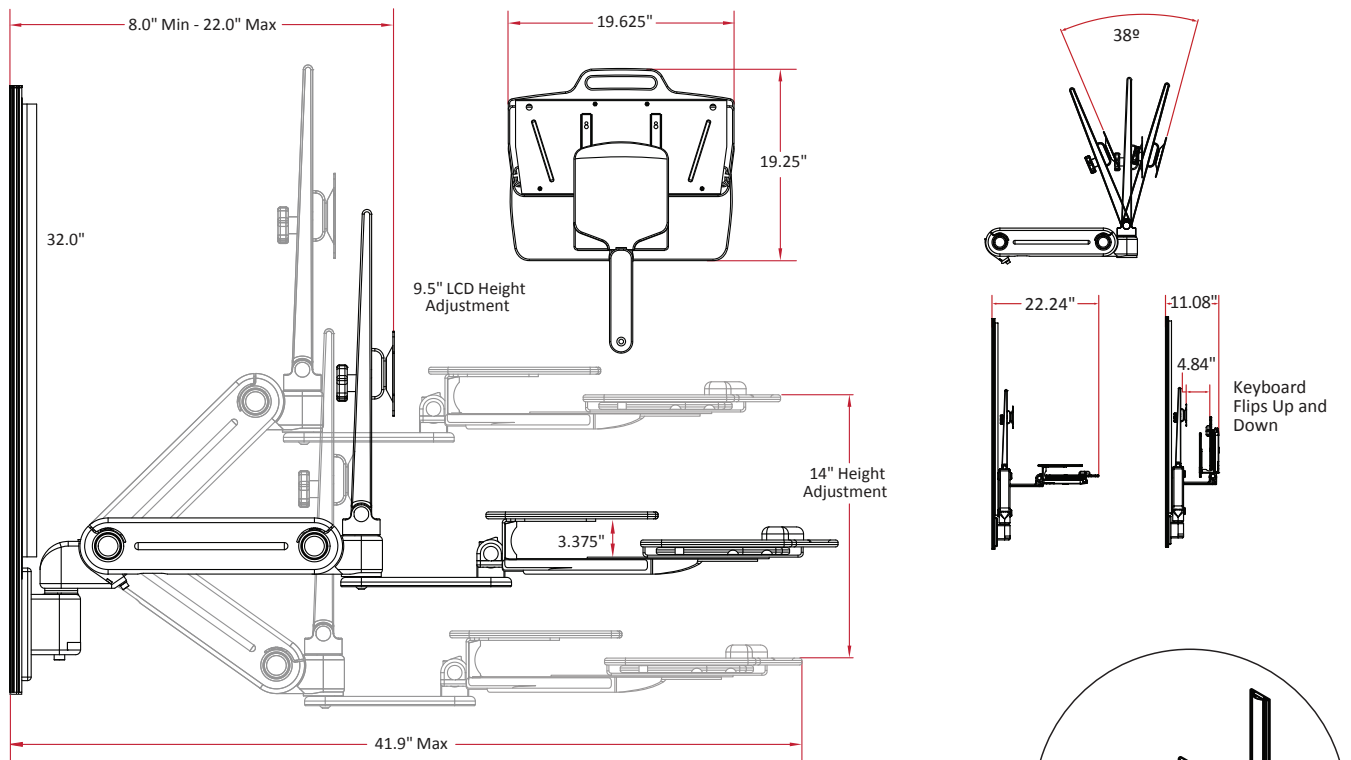
- Single-hand workstation adjustments are effortless, optimizing workflow efficiencies while sitting or standing
- Superior overall height adjustment range compared to other workstations maximizes versatility, ergonomics and comfort
- OSHPD Approved and Engineer Certified ensures installations meet local building codes and infrastructure requirements

### **Installs In Minutes**

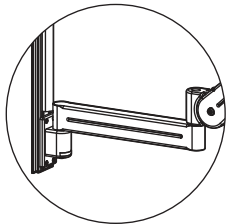
- Ships pre-assembled, resulting in minimal after-sale installation costs and reduced “down time” for critical care areas
- Complete mounting hardware is supplied, resulting in seamless integration into multiple mounting surfaces
- Direct to drywall applications optimize positioning in rooms with limited real estate

### **Built for Life**

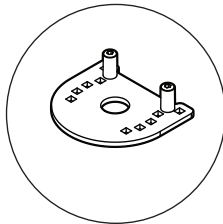
- Maximum durability leads to long-term dependability within varying EMR implementations and adaptations
  - Superior weight capacity compared to other workstations, leading to the most adaptable solution for evolving technology
  - Optional Pivot Limiter prevents over-rotation of arm into unwanted spaces, protecting surrounding areas from damage
-



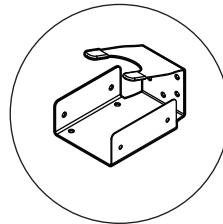
**APTUS®  
Accessories**



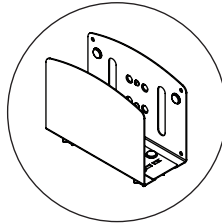
18" Extension Arm  
518-2327



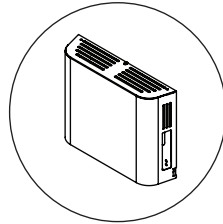
Pivot Limiter  
518-2329



Scanner Holder  
518-2332/518-2333



CPU Cradle  
518-2330



CPU Cabinet  
518-2331

Each system can be attached to an MSC headwall or the building wall.

**IMPORTANT:** If attached to headwall, APTUS® system must be attached to a back-braced monitor channel within MSC Headwall, Column or Service Module, or MSC horizontal monitor channel assembly (518-2301 or 518-2302). If attached to building wall, the wall must be reinforced with bracing to support the APTUS® system.

**APTUS® L Workstation**

Model	Description	LCD Height Adjustment	Combo Arm Max Weight	Combo Arm Reach	LCD Rotation	Counterbalanced Height Range	LCD Tilt Range	Finish	Mounting Standard
518-2323	APTUS® L Workstation (channel not included)	9.5"	6-18 lbs.	4" - 37"	360°	270°	38°	Silver	VESA 75mm/100mm

Shipping weight: 32 lbs. Box dimensions: 36" x 21" x 9"



500 E. Britton Rd. • Oklahoma City, OK 73114  
Tel: 800.687.0938 • Fax: 405.528.0368  
www.modularservices.com  
info@modularservices.com