



MODULAR
SERVICES COMPANY

CONFIGURATION OPTIONS

PUMP STAR®

Created by Modular Services Company



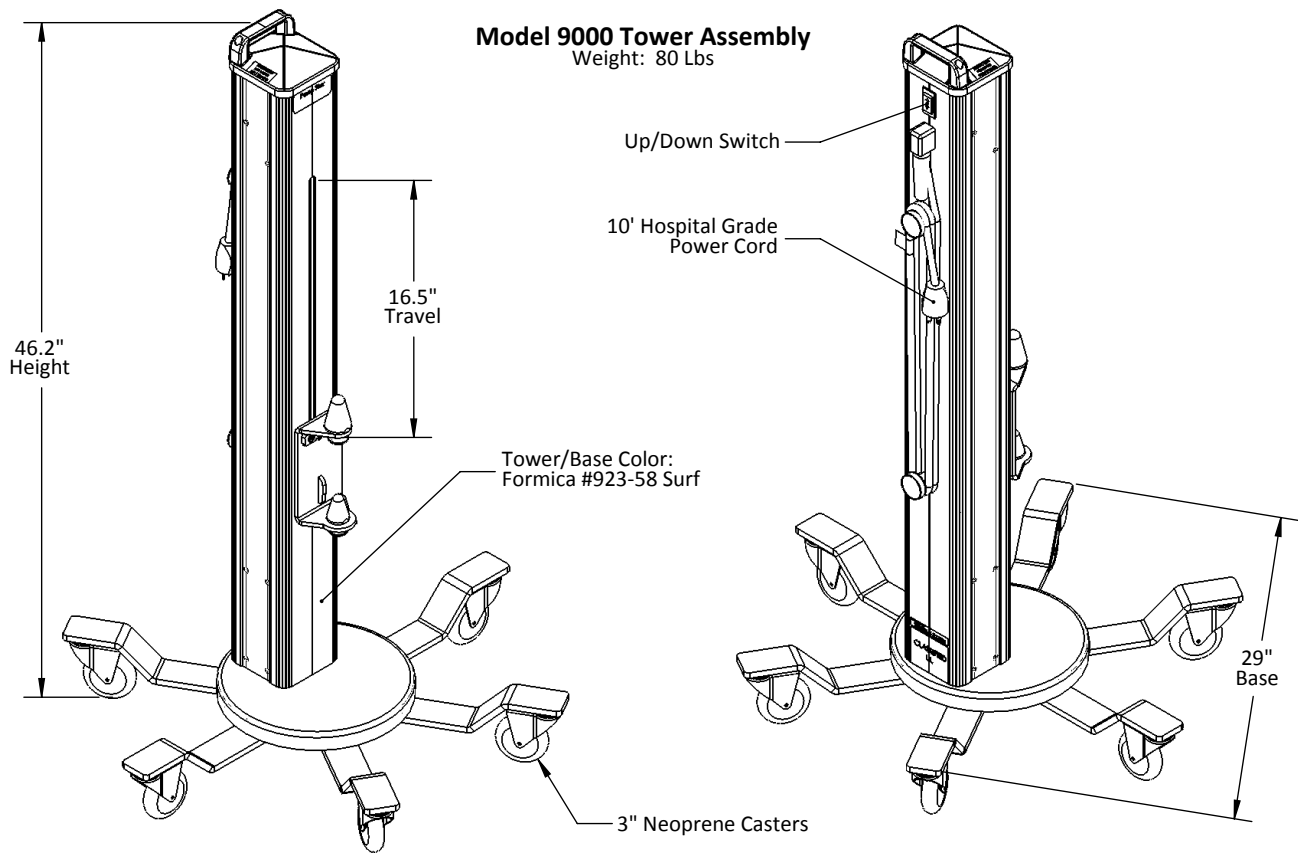
By using the Pump Star®, pumps can be transferred from the Pump Star tower to the bed mounting plate for fast and efficient transport. Pumps and bags will travel on the bed to eliminate moving separate IV poles along with the bed when moving patients. Once the patient returns to the room, the pumps are easily transferred back to the tower to be stored.

HOW IT WORKS

The pump rack transfers by positioning the tapered pins on the transfer bracket over the bed bracket and then lowering the rack into the bed bracket. To transfer the pump rack to the tower, simply position the service module tapered pins under the transfer bracket and raise the rack onto the tower.

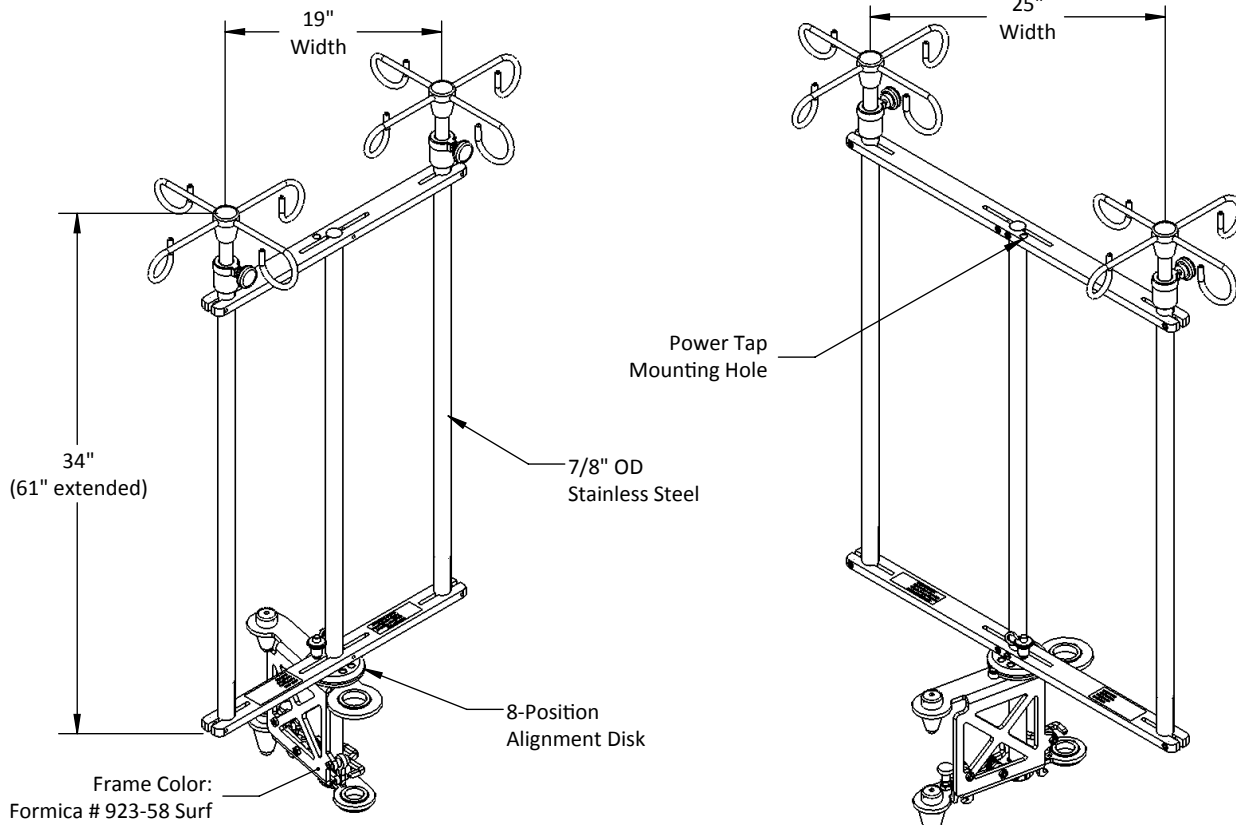
ORGANIZING PUMPS

Pumps can be attached to the pump rack at an ergonomic level where they are easy to see, use and move. Pump racks accommodate varying pump types, quantities and sizes.



Model 9000-AM-9000
19" Wide - Standard
Weight: 12 Lbs

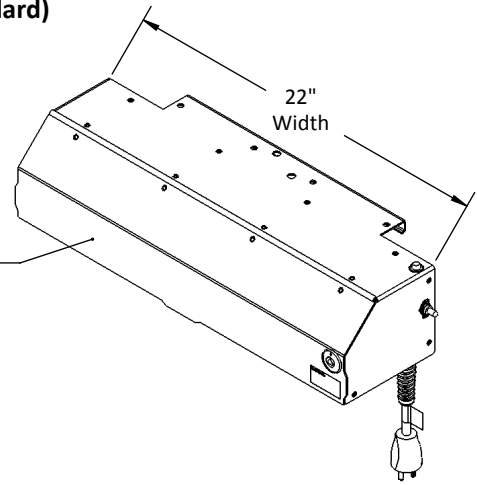
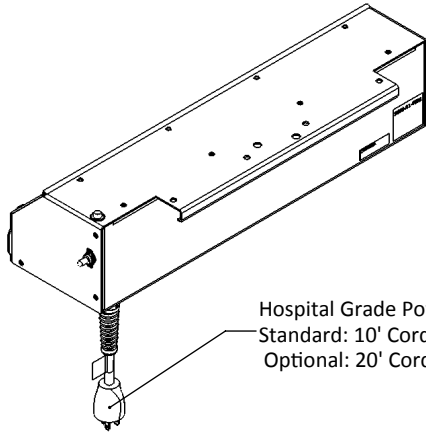
Model 9000-AM-9002
25" Wide - Optional
Weight: 14 Lbs



NOTE: Information is provided for reference use only and may change without notification.

Model 9000-A1-4601 (standard)

8-Duplex Receptacle
Power Tap Assembly

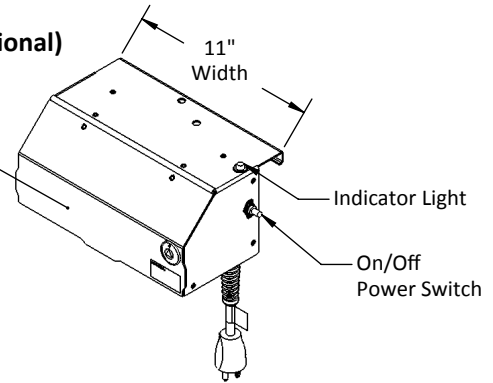
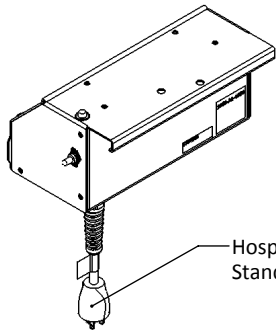


Hospital Grade Power Cord:
Standard: 10' Cord Length (Model 9000-A1-4601)
Optional: 20' Cord Length (Model 9000-A1-4602)

Color:
Formica # 923-58 Surf

Model 9000-A1-4600 (optional)

5-Duplex Receptacle
Power Tap Assembly



Hospital Grade Power Cord:
Standard: 10' Cord Length

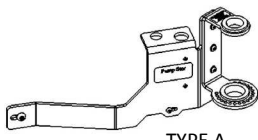
Color:
Formica # 923-58 Surf

Indicator Light

On/Off
Power Switch

NOTE: Information is provided for reference use only and may change without notification.

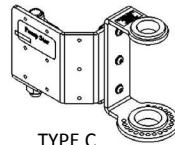
BED BRACKET ASSEMBLIES



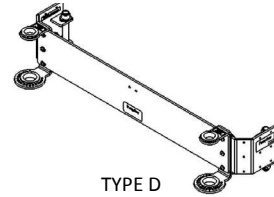
TYPE A



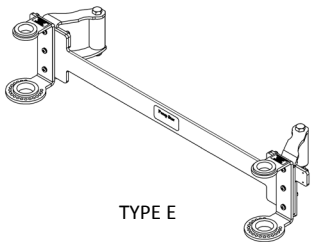
TYPE B



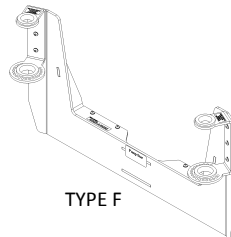
TYPE C



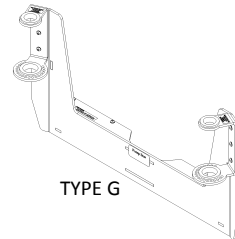
TYPE D



TYPE E



TYPE F



TYPE G

Type	Bed Manufacturer	Bed Model	Modular Model # (LH)	Modular Model # (RH)	Weight (lbs each)
A	Stryker	Epic II & Zoom	9000-A4-5100	9000-A4-5109	6.8 lbs
A	Stryker	Secure II Zoom	9000-A4-5400	9000-A4-5401	6.6 lbs
A	Stryker	Secure II	9000-A4-5402	9000-A4-5403	6.6 lbs
B	Stryker	InTouch	9000-A4-5102	9000-A4-5103	4.5 lbs
C	Hill-Rom	Connect & TotalCare	9000-A4-5113	9000-A4-5111	6.5 lbs
D	Hill-Rom	Connect & TotalCare (plate, LH & RH bed brackets, pre-assembled as shown)	9000-A4-5115		24.5 lbs
E	Hill-Rom	Progressa Bed System	9000-A4-5408		13.75 lbs
F	Linet	Multicare	9000-A4-5410		26.97 lbs
G	Linet	E5	9000-A4-5412		26.66 lbs

NOTE: Information is provided for reference use only and may change without notification.

Instructions:

1. Check box in first column to select product option.
2. Enter quantity in last column for each product option selected.
3. When selecting customizable options, fill in requested information where appropriate.

PRODUCT DESCRIPTION	STOCK NUMBER	QTY.
Tower Option		
<input type="checkbox"/> Electrical (115VAC/2.7A)	9000	_____
Rack Options		
<input type="checkbox"/> Standard Version, 19" Wide with 34" IV Poles	9000-AM-9000	_____
<input type="checkbox"/> Extended Version, 25" Wide with 34" IV Poles	9000-AM-9002	_____

Please provide the following information for the equipment to be attached to the IV rack:

Type/Model: _____

Quantity of Each Type/Model: _____

Weight of Each Type/Model: _____

Bed Bracket Options

NOTES:

1. LH & RH designations are in reference to a "patient" lying in the bed (patient LH/patient RH).
2. All mounting hardware required to install bed brackets on bed is provided.
3. Installation of bed brackets may require removal of existing hardware from bed. Contact bed manufacturer before removing any hardware from bed.

<input type="checkbox"/> Hill-Rom Connect (LH)	9000-A4-5113	_____
<input type="checkbox"/> Hill-Rom Connect (RH)	9000-A4-5111	_____
<input type="checkbox"/> Hill-Rom Connect (LH/RH) w/Plate	9000-A4-5115	_____
<input type="checkbox"/> Hill-Rom TotalCare (LH)	9000-A4-5113	_____
<input type="checkbox"/> Hill-Rom TotalCare (RH)	9000-A4-5111	_____
<input type="checkbox"/> Hill-Rom TotalCare (LH/RH) w/Plate	9000-A4-5115	_____
<input type="checkbox"/> Hill-Rom TotalCare (LH/RH) w/Plate - Bariatric	9000-A4-5118	_____

- | | | | |
|--------------------------|-------------------------------|---|-------|
| <input type="checkbox"/> | Hill-Rom Progressa Bed System | 9000-A4-5408 | _____ |
| <input type="checkbox"/> | Stryker Secure II Zoom (LH) | 9000-A4-5400 | _____ |
| <input type="checkbox"/> | Stryker Secure II Zoom (RH) | 9000-A4-5401 | _____ |
| <input type="checkbox"/> | Stryker Secure II (LH) | 9000-A4-5402 | _____ |
| <input type="checkbox"/> | Stryker Secure II (RH) | 9000-A4-5403 | _____ |
| <input type="checkbox"/> | Stryker Epic II & Zoom (LH) | 9000-A4-5100 | _____ |
| <input type="checkbox"/> | Stryker Epic II & Zoom (RH) | 9000-A4-5109 | _____ |
| <input type="checkbox"/> | Stryker In-Touch (LH) | 9000-A4-5102 | _____ |
| <input type="checkbox"/> | Stryker In-Touch (RH) | 9000-A4-5103 | _____ |
| <input type="checkbox"/> | Linet Multicare | 9000-A4-5410 | _____ |
| <input type="checkbox"/> | Linet E5 | 9000-A4-5412 | _____ |
| <input type="checkbox"/> | Other – Please Specify: | | |
| | Bed Manufacturer(s): _____ | <i>(ex. Hill-Rom, Stryker, Linet, etc.)</i> | |
| | Bed Model(s): _____ | <i>(ex. Connect, In-Touch, Multicare, etc.)</i> | |
| | Quantity: LH _____ RH _____ | | |

Power Tap

- | | | | |
|--------------------------|--|--------------|-------|
| <input type="checkbox"/> | Standard, 8 Duplex Receptacles (125VAC/15A) - 10' Cord | 9000-A1-4601 | _____ |
| <input type="checkbox"/> | Optional, 8 Duplex Receptacles (125VAC/15A) - 20' Cord | 9000-A1-4602 | _____ |
| <input type="checkbox"/> | Optional, 5 Duplex Receptacles (125VAC/15A) | 9000-A1-4600 | _____ |

Additional Pump Star Accessories Available:

- | | | | |
|--------------------------|---|----------|-------|
| <input type="checkbox"/> | Power Cord Management | 516-2019 | _____ |
| | <i>See Modular Services Accessories Catalog for additional details.</i> | | |

CONTACT INFORMATION

Company/Organization: _____

Print Name: _____

Signature: _____ Date: _____

NOTICE: Total weight of rack, including all added on equipment and accessories, shall not exceed 100 lbs.

PRODUCT WEIGHTS:

- Pump Star® Electrical Tower 80 lbs
- Pump Star® Standard Rack 12 lbs
- Pump Star® Optional Rack 14 lbs
- Pump Star® Standard Power Tap 10 lbs
- Pump Star® Optional Power Tap 6 lbs
- Pump Star® Bed Bracket Varies by model

NOTE: Information is provided for reference use only and may change without notification.



MODULAR
SERVICES COMPANY

500 E. Britton Rd. • Oklahoma City, OK 73114

Tel: 800.687.0938 • Fax: 405.528.0368

www.modularservices.com

info@modularservices.com