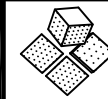


NOTES:

- ① ALL FOUR HOSPITAL GRADE RECEPTACLES ARE ON THE SAME CIRCUIT AND CONNECT TO 120VAC INPUT POWER VIA A 10' HOSPITAL GRADE POWER CORD THAT CAN PLUG INTO A STANDARD 15A OR 20A RECEPTACLE.
- ② GAS PIPING: EITHER HOSE CONNECTED TO EXISTING GAS OUTLETS OR THE MEDICAL AIR AND OXYGEN CAN BE CONNECTED TO COMPRESSED GAS CYLINDERS STORED ON BOARD.
- ③ MEDICAL GAS OUTLETS AND ELECTRICAL DEVICES TO BE MSC STANDARD BRAND.
- ④ ALL EXPOSED METAL SURFACES ARE TO HAVE A "PLATINUM GREY" POWDER COATED FINISH.



**MODULAR** 500 EAST BRITTON ROAD  
**SERVICES COMPANY** OKLAHOMA CITY, OK 73114

REVISED

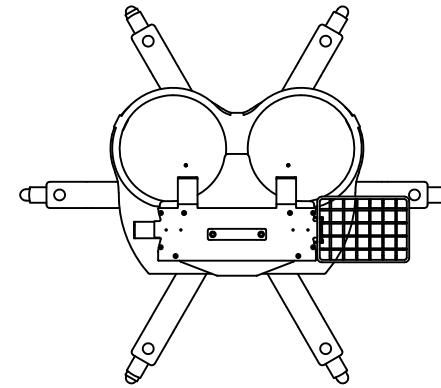
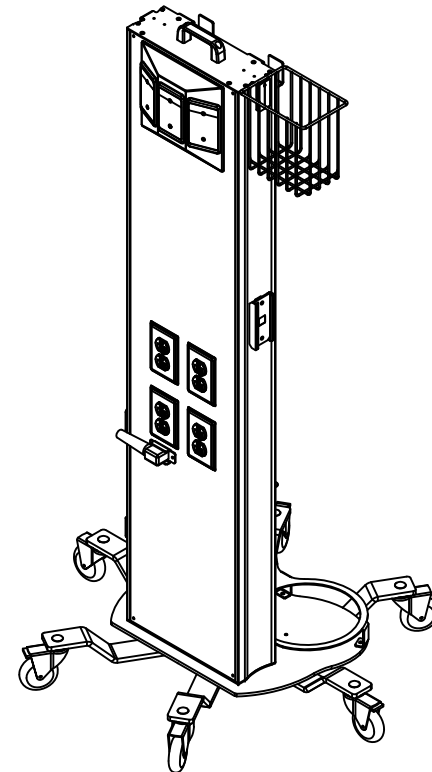
MOBILE HEADWALL  
 LOW ACUITY  
 MODEL 10110

PROJECT

SCALE: =1'

DATE \_\_\_\_\_ DRAWN BY \_\_\_\_\_ DRAWING #  
 PB-221

MSC PROJ#



QTY REQ'D:

LEGEND

REQ	SYM	DESCRIPTION
1	□	OXYGEN OUTLET
1	A	AIR OUTLET
1	V	VACUUM OUTLET
4	E7	DUPLEX RECEPTACLE, 8200 WHITE, 15A, 125V, H.G., LED, NORMAL POWER
1	SL	VACUUM BOTTLE SLIDE
1		513-1442 BASKET ONLY, 7" X 5" X 7"

