

MODULAR SERVICES COMPANY 500 EAST BRITTON ROAD
OKLAHOMA CITY, OK. 73114

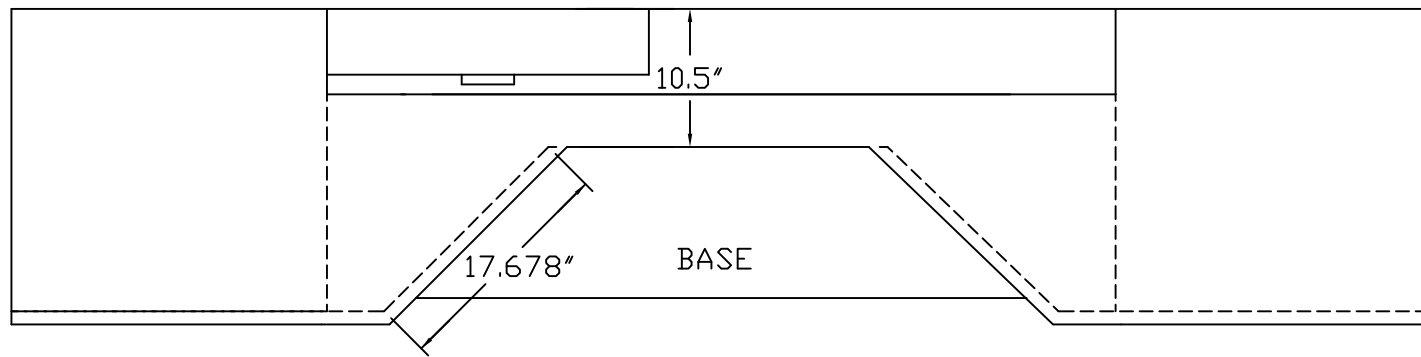
REVISED

NICU BAY CASEWORK
TYPE B

PROJECT

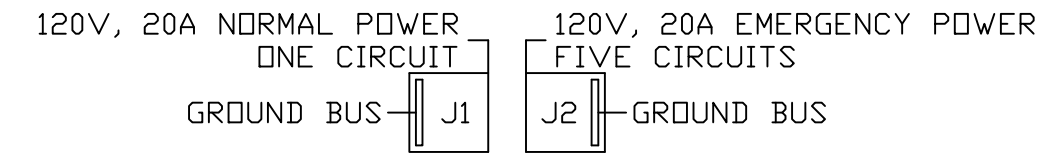
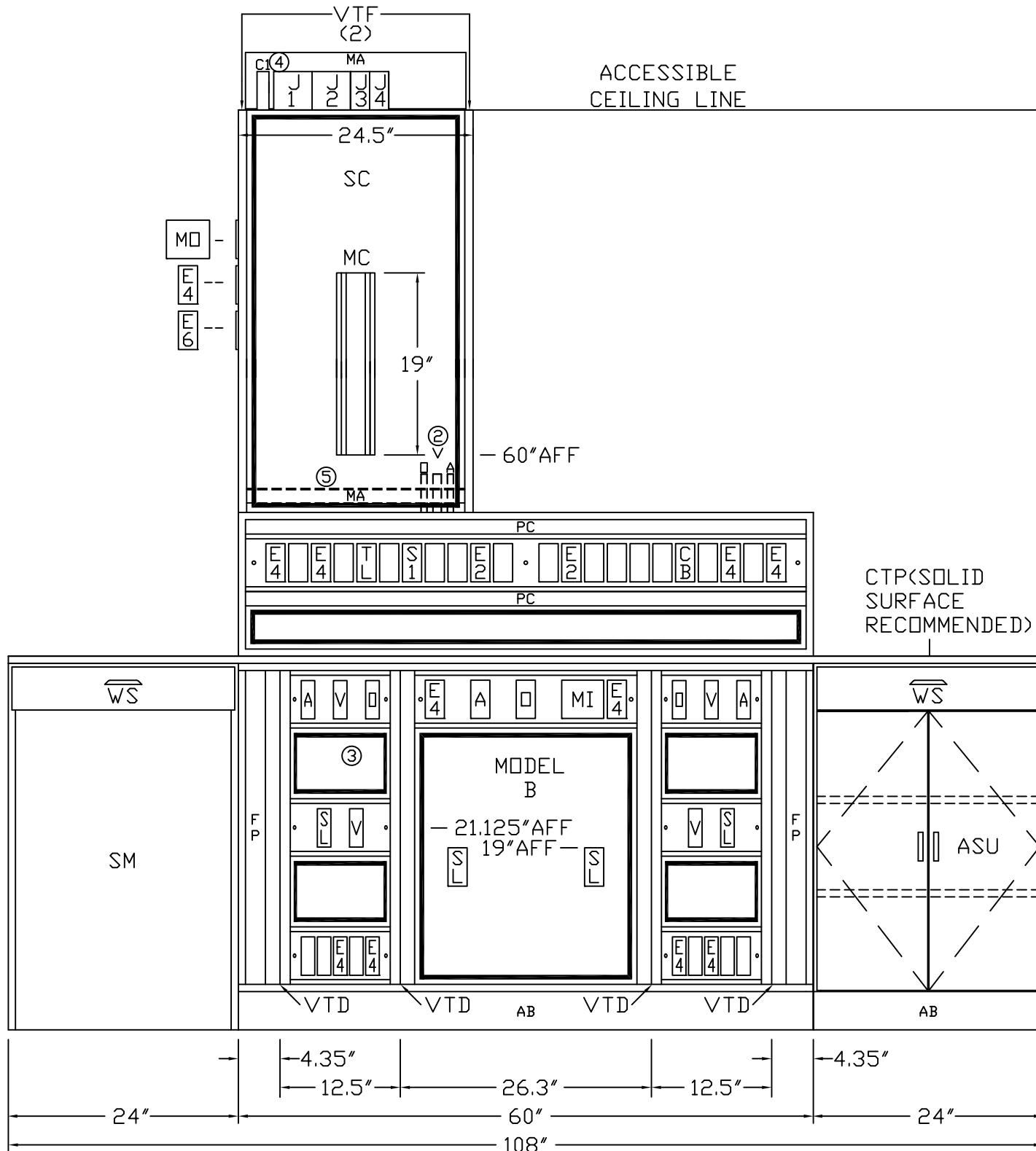
SCALE: =1'

DATE _____ DRAWN BY _____ DRAWING #
PB-161

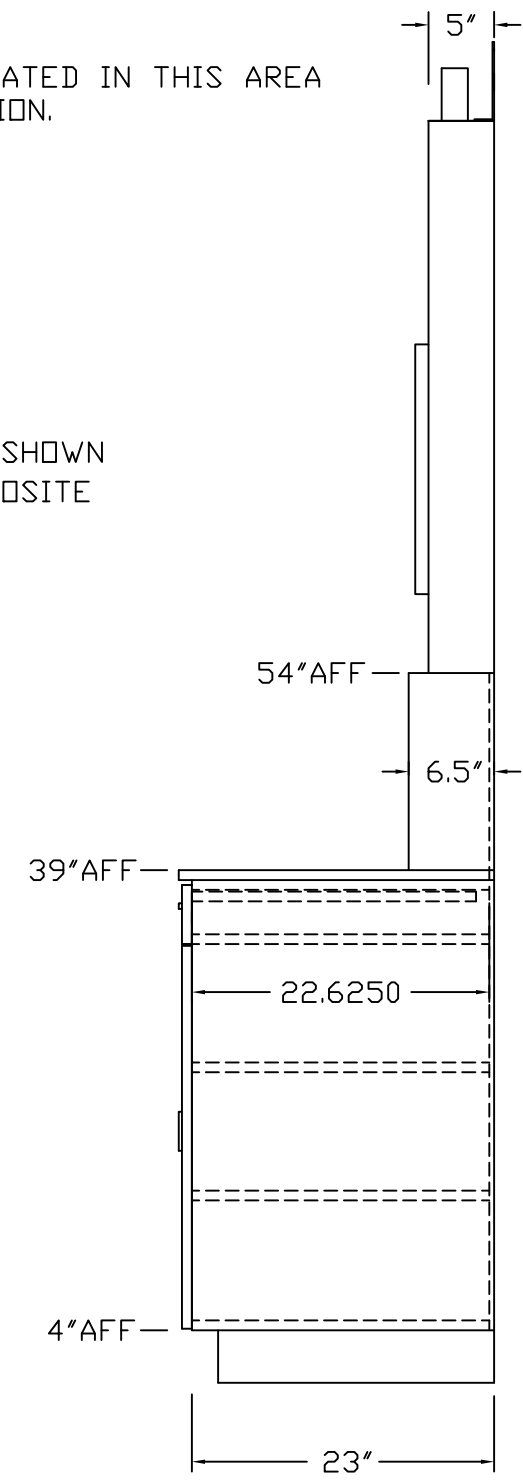
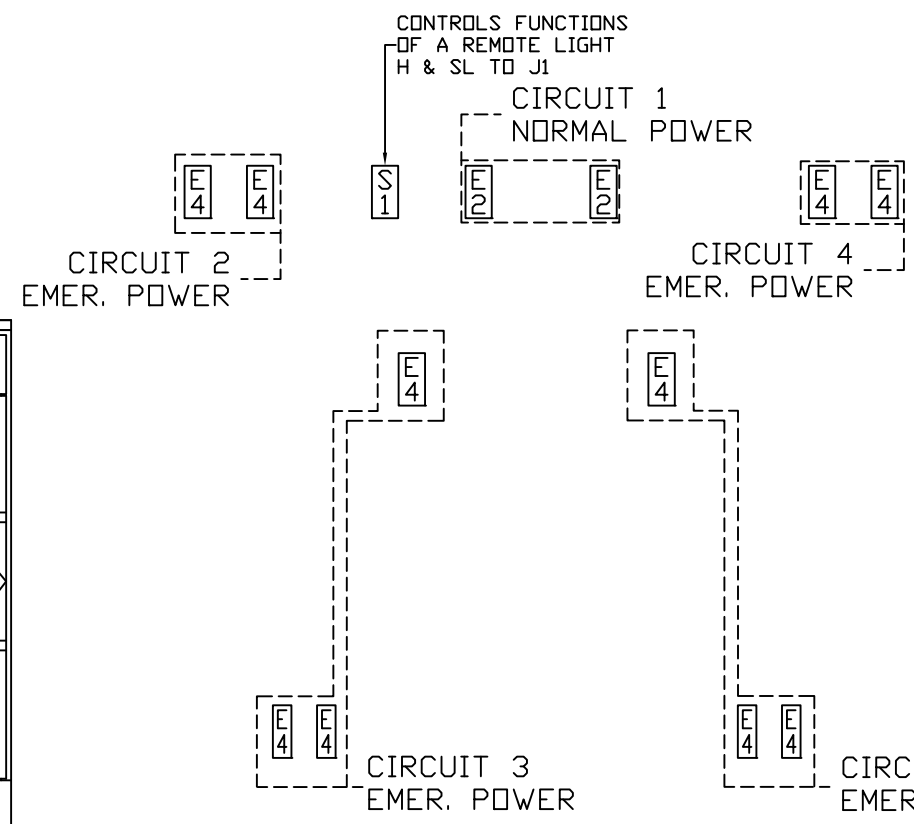


NOTES:

- ① JUNCTION BOXES: J1--NORMAL POWER, J2--EMERGENCY POWER, J3--CODE BLUE, J4--TELEPHONE.
- ② GAS PIPING: TYPE L COPPERTUBING. OXYGEN AND AIR--1/2" I.D., VACUUM--3/4" I.D.
- ③ PANEL LAMINATE COLOR: VERTICAL SURFACES TO BE DETERMINED. HORIZONTAL SURFACES TO BE DETERMINED.
- ④ CONDUIT: C1--MONITOR (1-1/4").
- ⑤ SERVICES FROM THE LOWER SECTION WILL BE TERMINATED IN THIS AREA AND WILL REQUIRE FIELD ROUTING DURING INSTALLATION.



HIGH ACUITY
-- REQ'D -- AS SHOWN
-- OPPOSITE



WIRING DIAGRAM

GROUND WIRING TO BE #10
GREEN STRANDED COPPER.