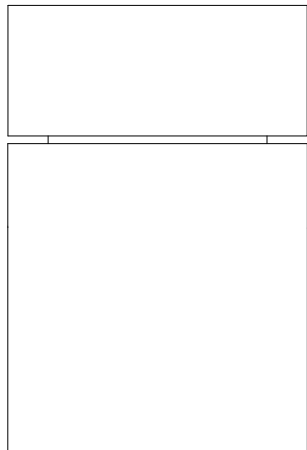
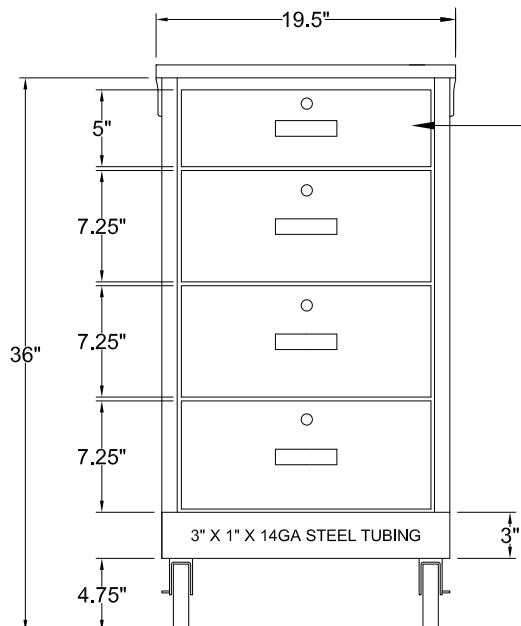


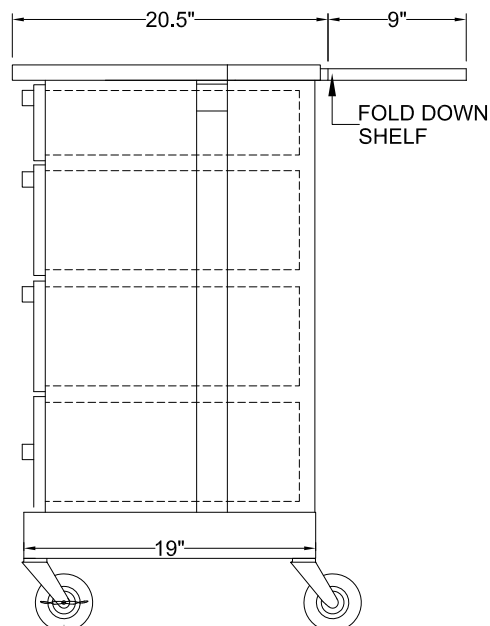
TOP



FRONT



STORAGE DRAWERS (4)
WITH UNIVERSAL LOCK



CASTERS; TWO WITH
BRAKES ON FRONT SIDE



500 EAST BRITTON ROAD
OKLAHOMA CITY, OK 73114
www.modularservices.com

TOTAL QTY:

X

CRITICAL CARE CART
MODEL 'D'
MODEL #514-1619

AS SHOWN:

X

DRAWN BY:

XXX

DRAWING:

4XXXX

OPPOSITE:

X

DATE:

XX/XX/XX

PROJECT #:

XXXX

SALES ORDER #:

XXXXX

PROJECT

HOSPITAL
PROJECT
CITY, STATE