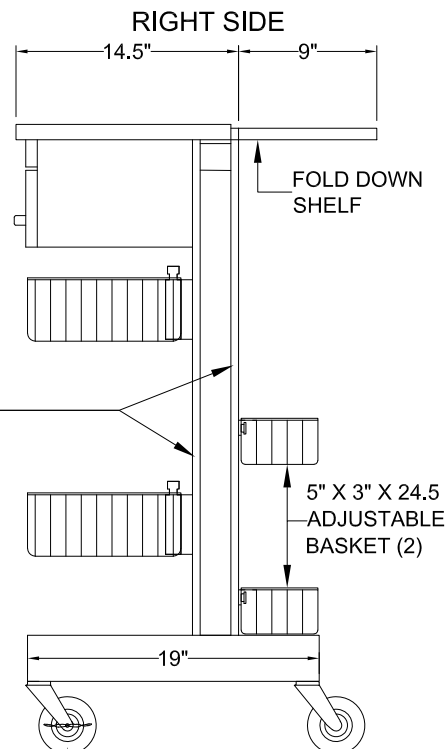
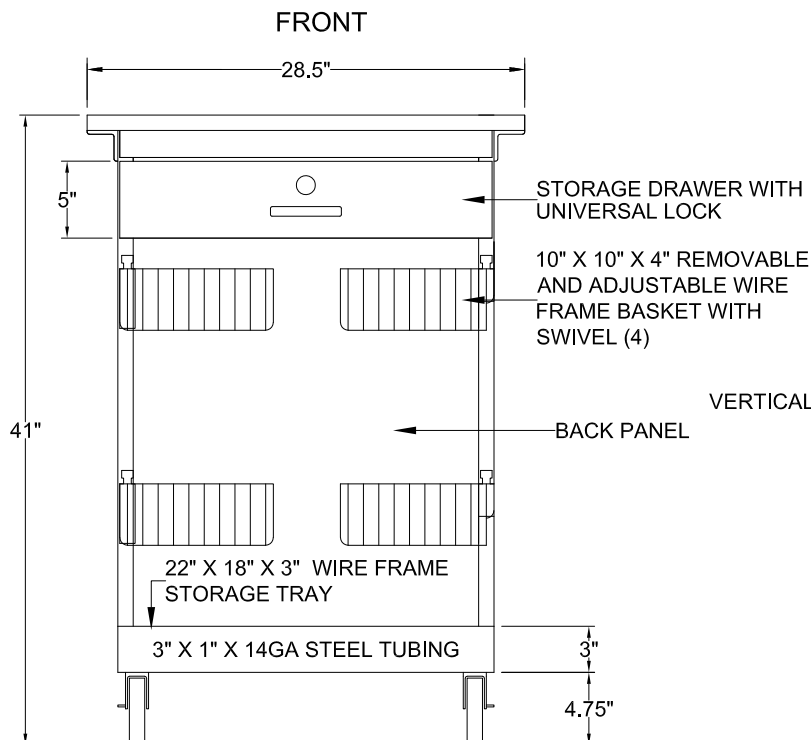
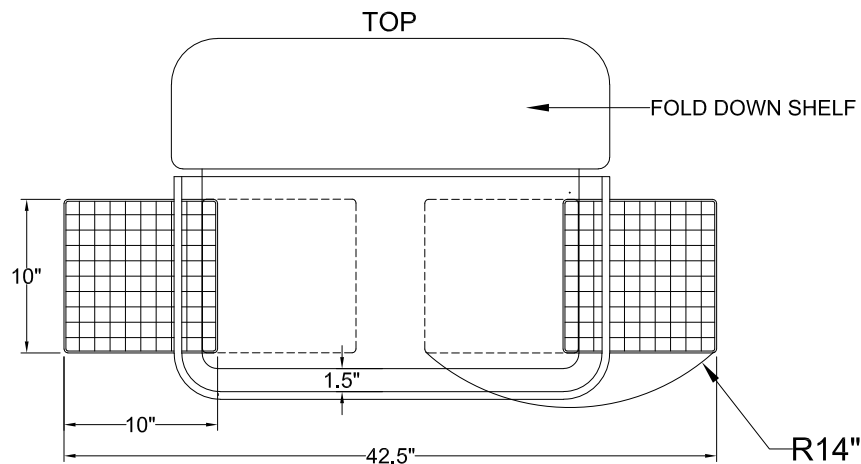


PROPOSAL ONLY NOT FOR CONSTRUCTION

NOTES:

1. STEEL FRAMEWORK: POWDER COATED FINISH TO MATCH FORMICA #923 "SURF".
2. LAMINATE SURFACES: TO BE FORMICA #923-58 "SURF" (MATTE FINISH).
3. VERTICAL TRACKS ARE CLEAR ANODIZED ALUMINUM.



CASTERS: TWO WITH BRAKES ON FRONT SIDE



500 EAST BRITTON ROAD
OKLAHOMA CITY, OK 73114
www.modularservices.com

TOTAL QTY:
X

CRITICAL CARE CART
MODEL 'B'
STOCK #514-1604

HOSPITAL
PROJECT
CITY, STATE

AS SHOWN:
X

OPPOSITE:
X

DRAWN BY:
XXX

DATE:
XX/XX/XX

DRAWING:
4XXXX

PROJECT #:
XXXX

SALES ORDER #:
XXXXX

PROJECT